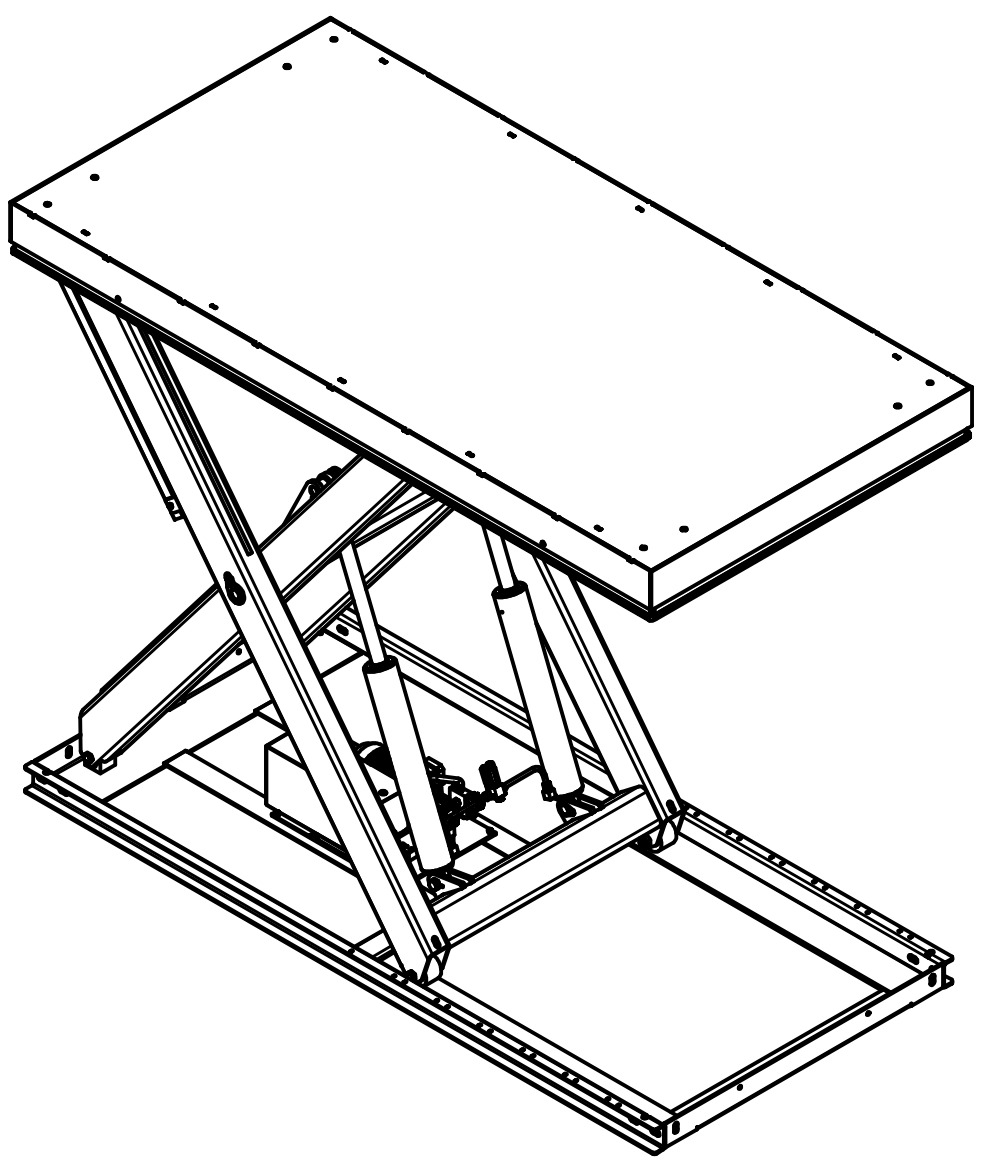
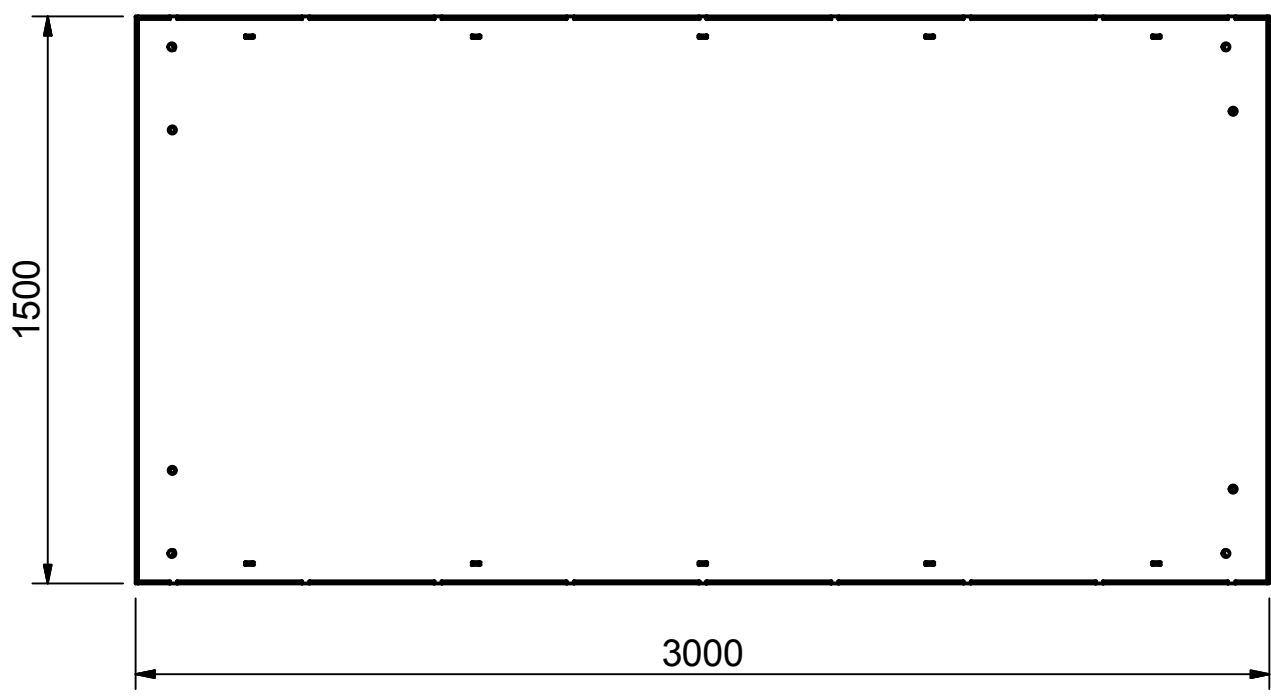
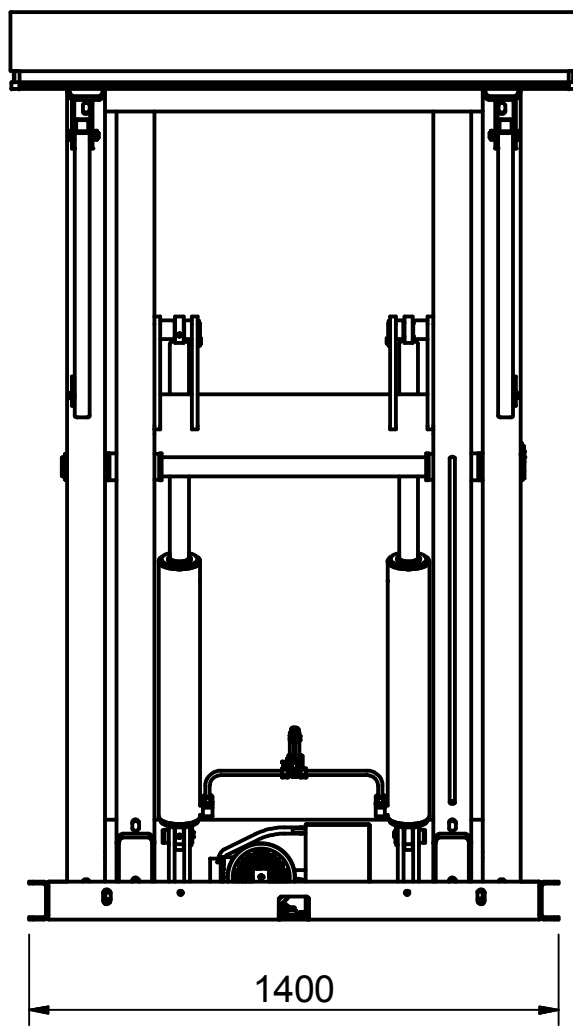
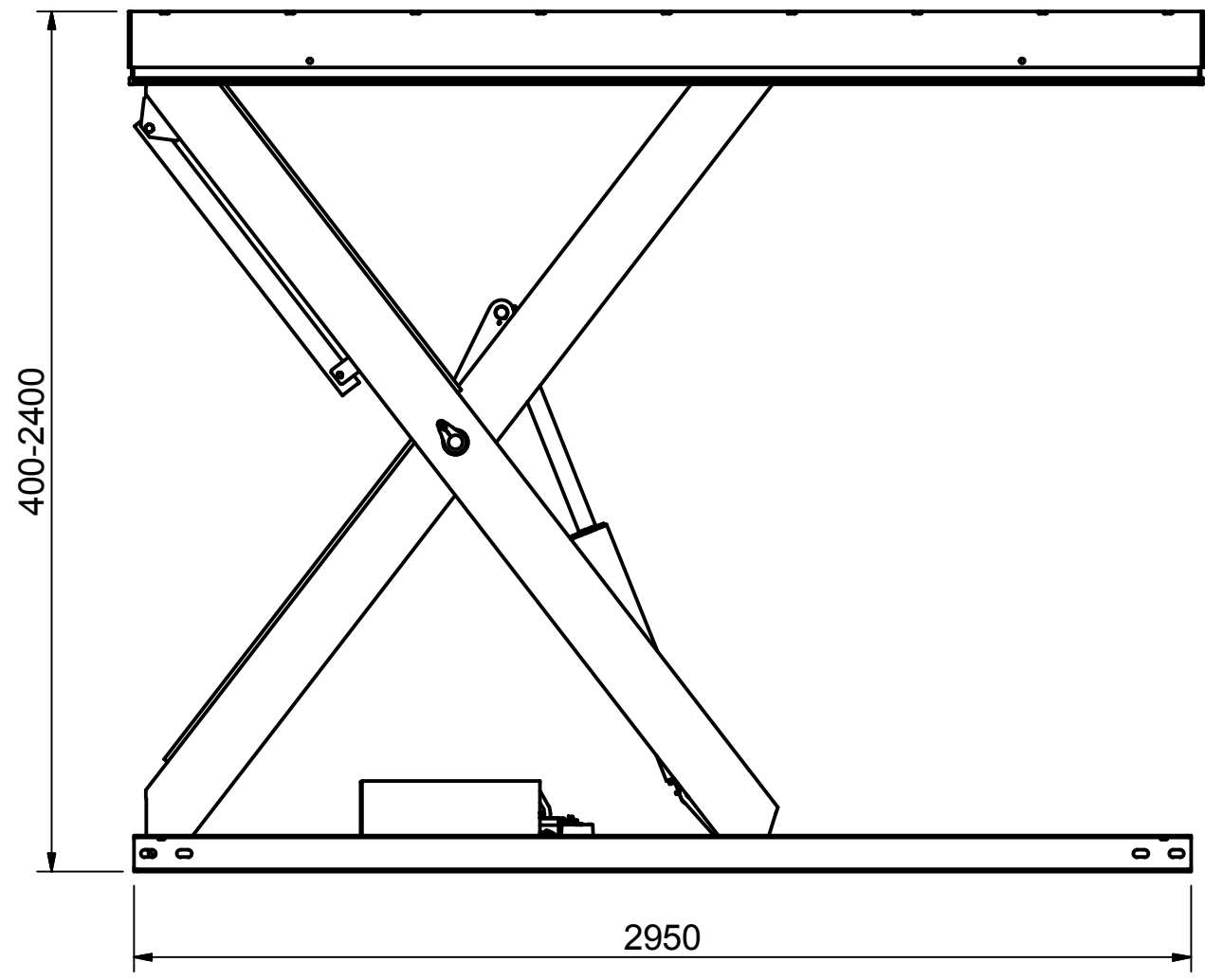



This document must not be copied without our written permission, and the contents thereof must not be imparted to a third party nor be used for any unauthorized purpose. Contravention will be prosecuted.



Lyftbord Sammanställning TP 3000 (3000x1500)		Drawn <b>ERIFO</b>	Date 2008-12-11
		Scale 1:20	Est. weight N/A
		Document kind <b>Konstruktionsritning</b>	
 General tolerances for dimensions without indication according to ISO 2768-m		System <b>Inventor</b>	Drawing no <b>514564</b>
		Sheet size <b>A3</b>	Revision <b>-</b>