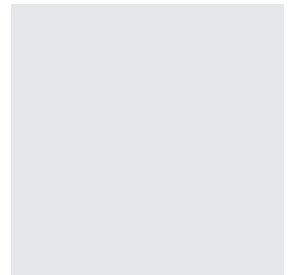
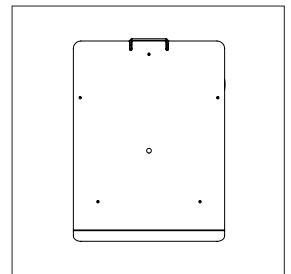
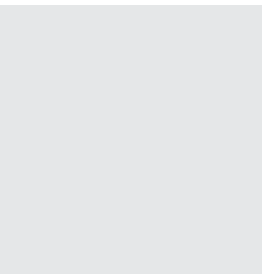
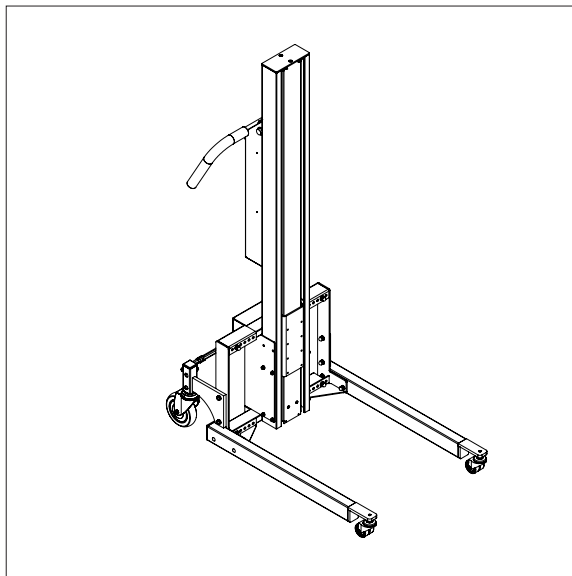
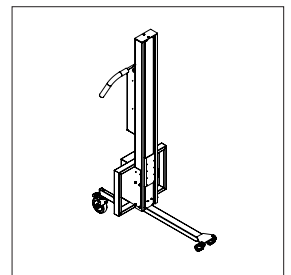
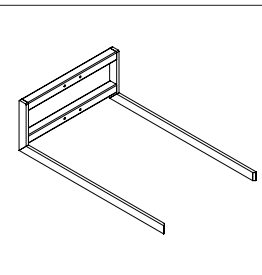
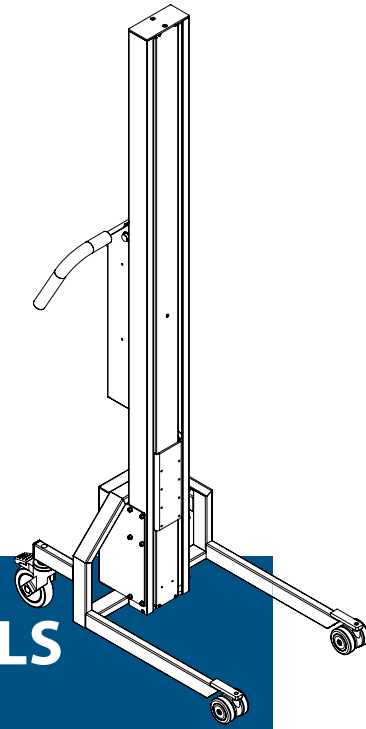


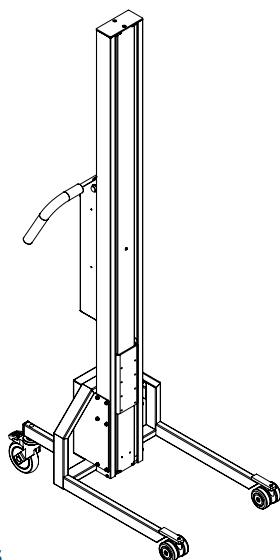
# WP 90 Q LIFT TROLLEYS & TOOLS

- DRAWINGS & MEASUREMENTS

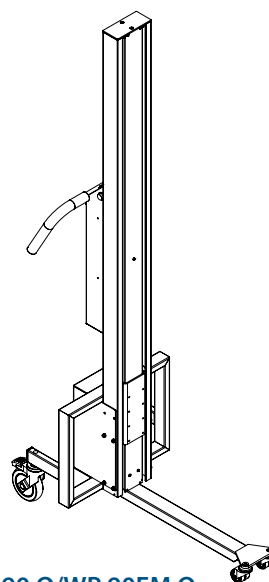


# WP 90 Q

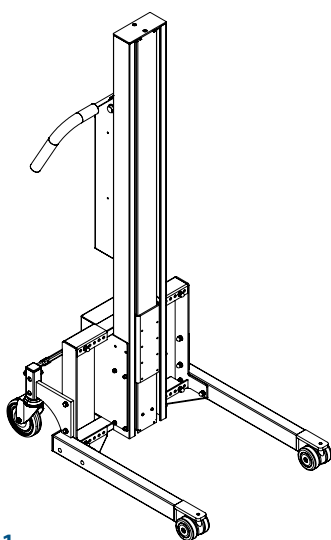
## 3 MAST HEIGHTS AND 21 LEG/WHEEL OPTIONS



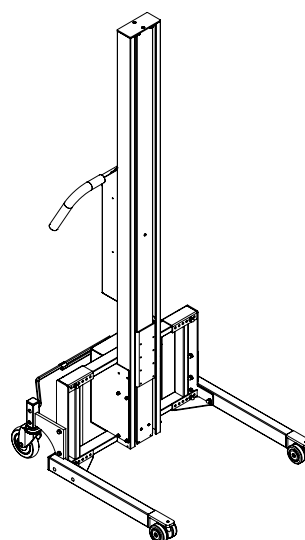
Standard legs  
WP 90S Q/WP 90 Q/WP 90EM Q



Centerleg  
WP 90S Q/WP 90 Q/WP 90EM Q



Flexleg type 1  
WP 90S Q/WP 90 Q/WP 90EM Q

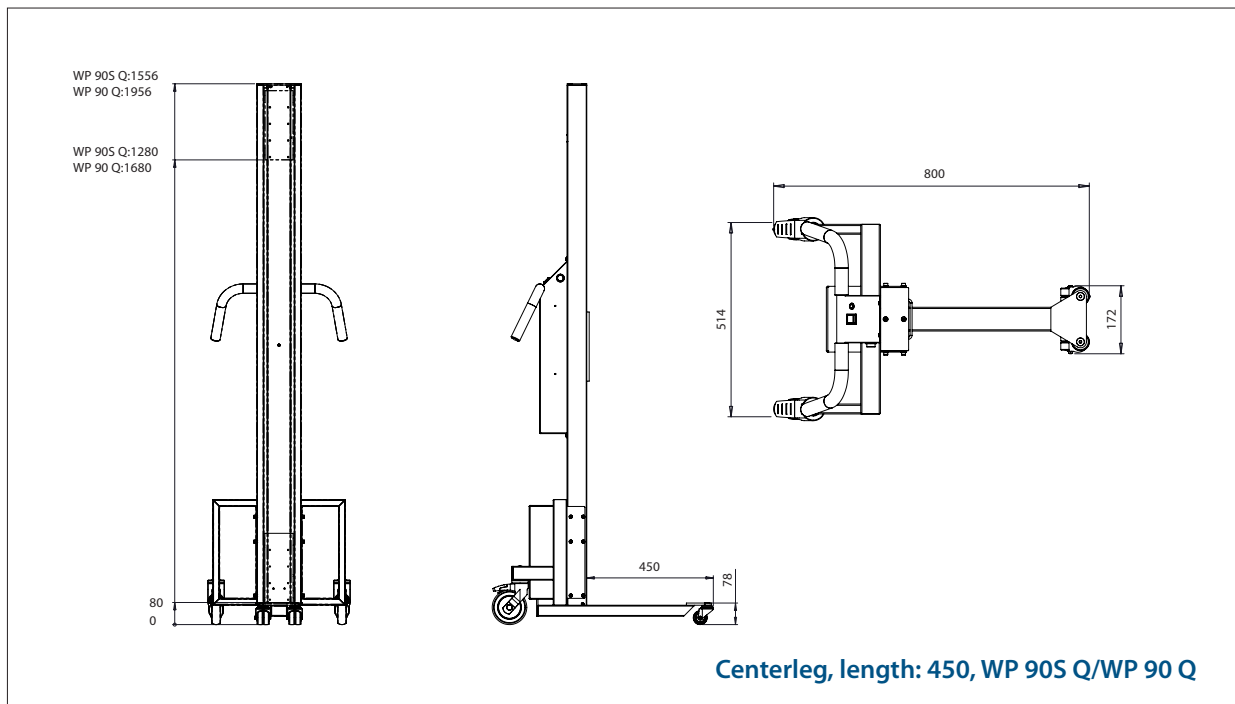
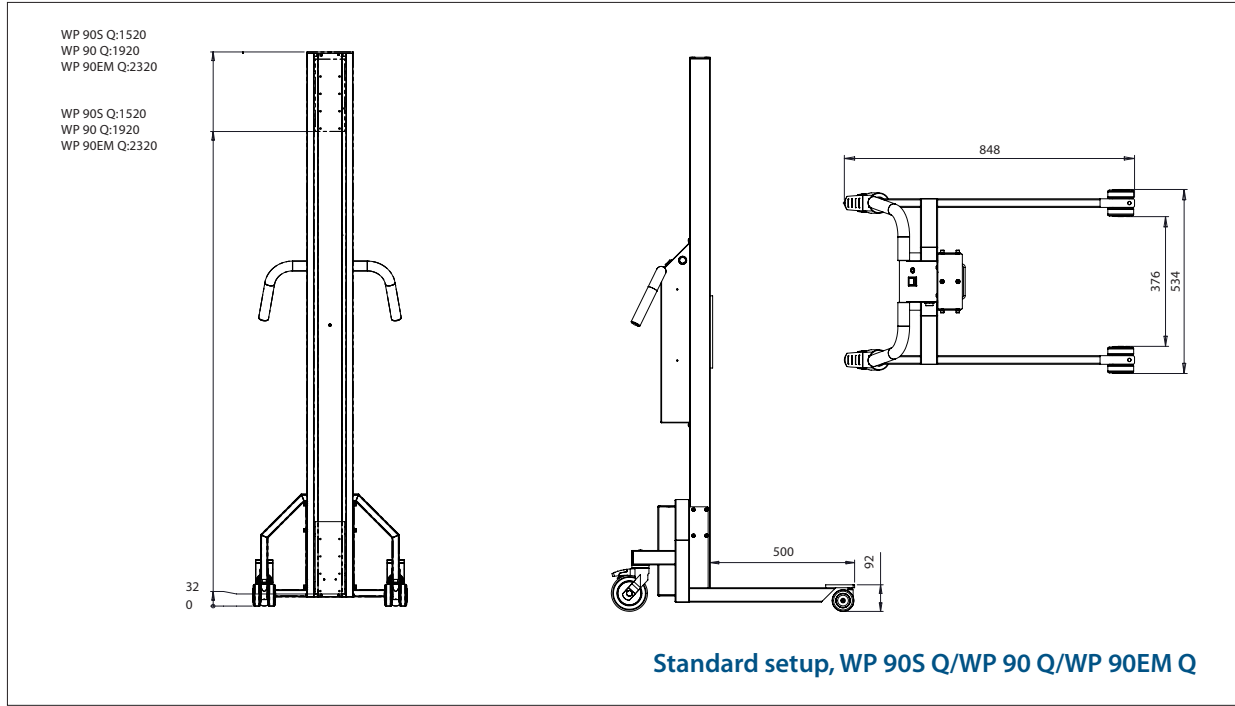


Flexleg type 2  
WP 90S Q/WP 90 Q/WP 90EM Q

# WP 90 Q

## LIFTERS - DRAWINGS & MEASUREMENTS

- All measurements in mm



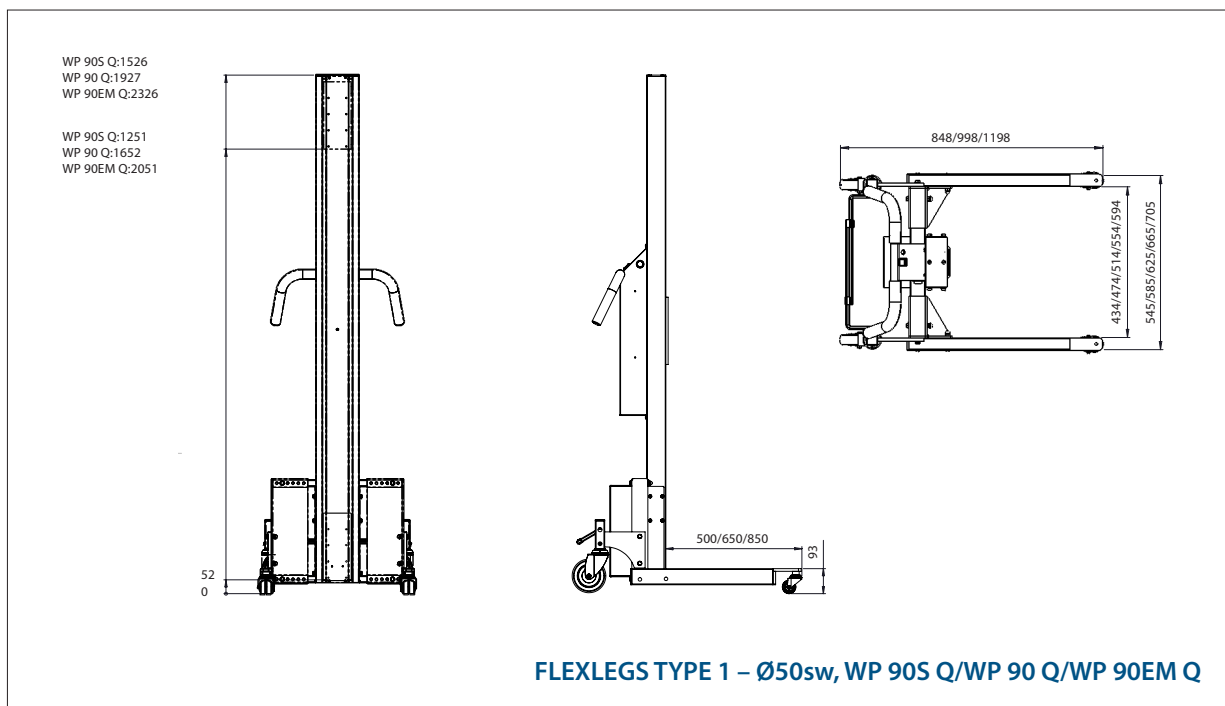
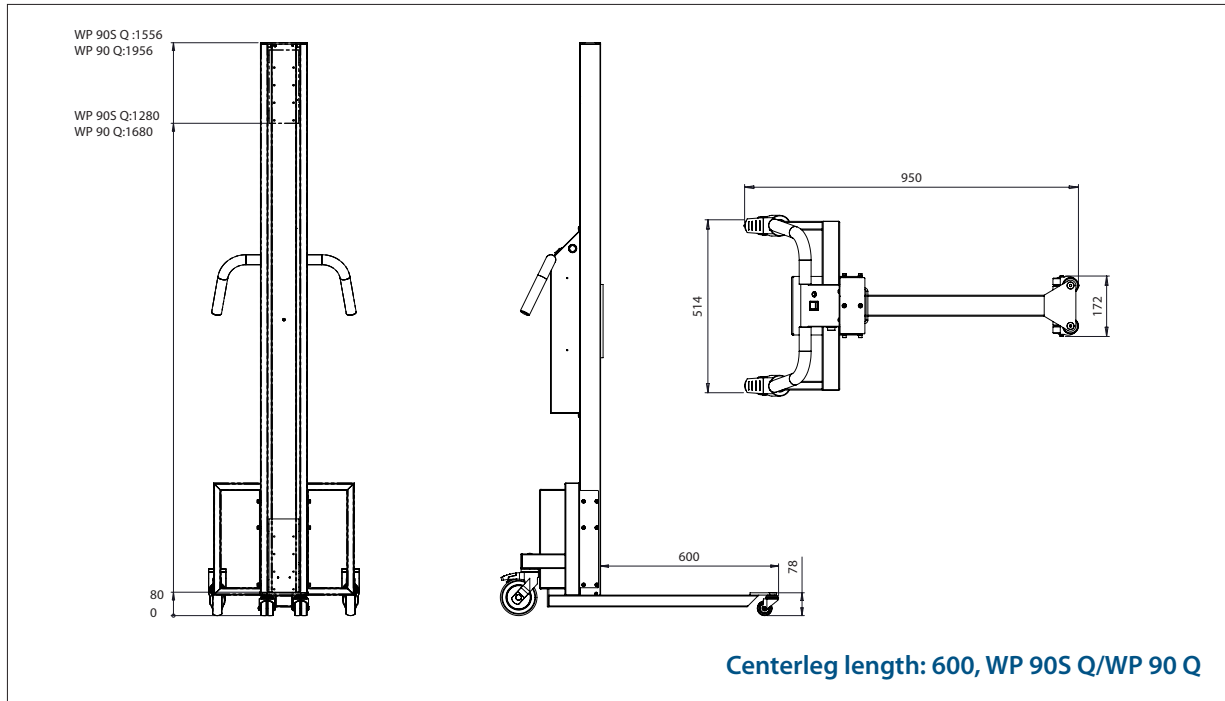
### EdmoLift AB

Jägaregatan 11, SE-871 42 Härnösand, Sweden, Tel +46 (0)611-837 80  
Fax +46 (0)611-51 15 80, E-mail: b2b@edmolift.se

# WP 90 Q

## LIFTERS - DRAWINGS & MEASUREMENTS

- All measurements in mm



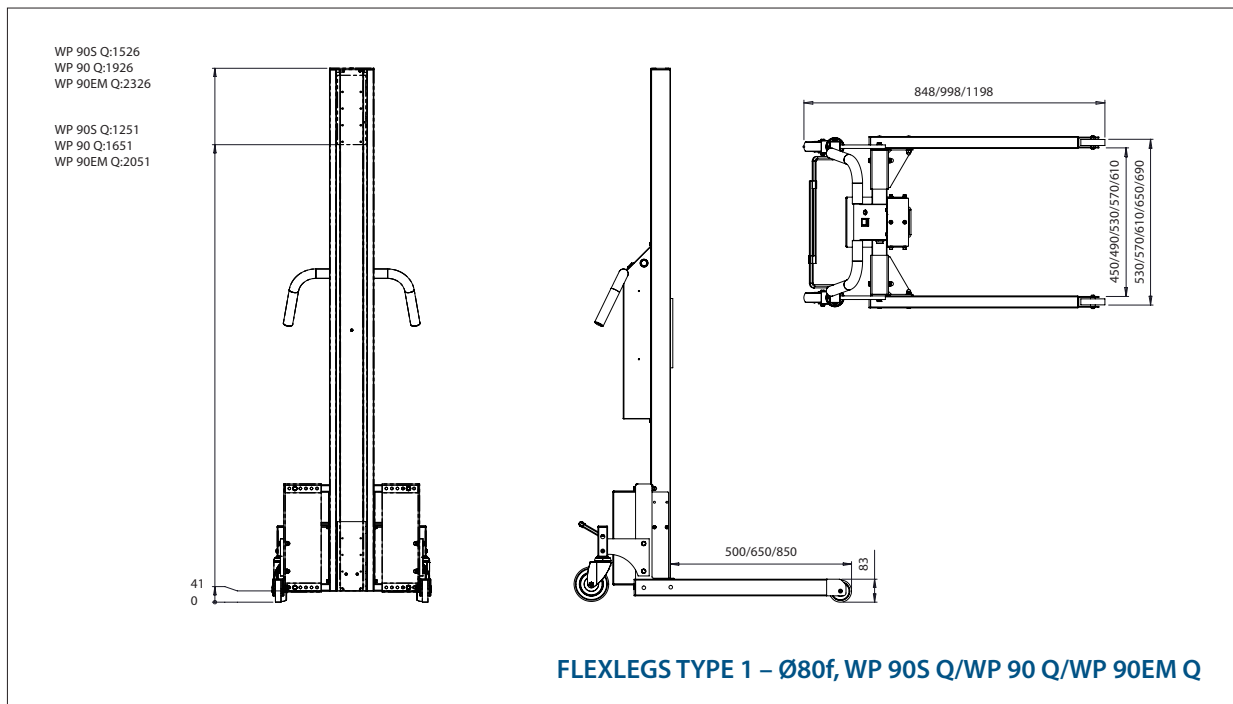
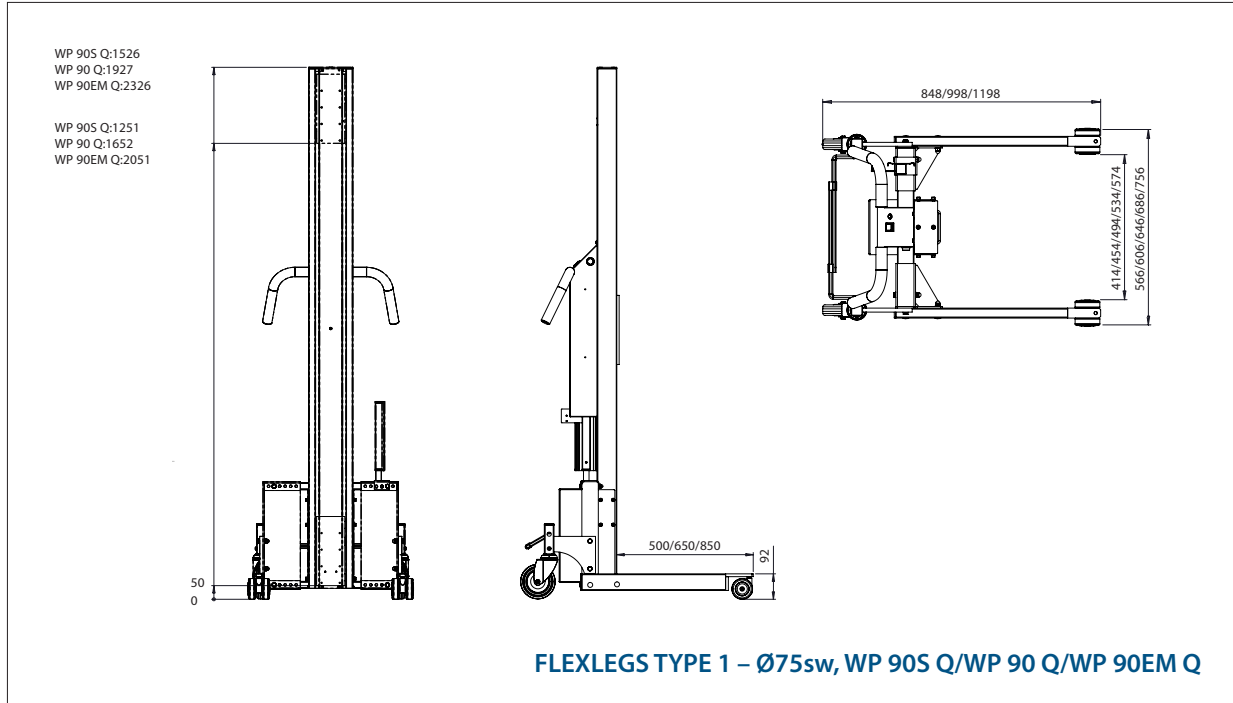
EdmoLift AB

Jägaregatan 11, SE-871 42 Härnösand, Sweden, Tel +46 (0)611-837 80  
Fax +46 (0)611-51 15 80, E-mail: b2b@edmolift.se

# WP 90 Q

## LIFTERS - DRAWINGS & MEASUREMENTS

- All measurements in mm



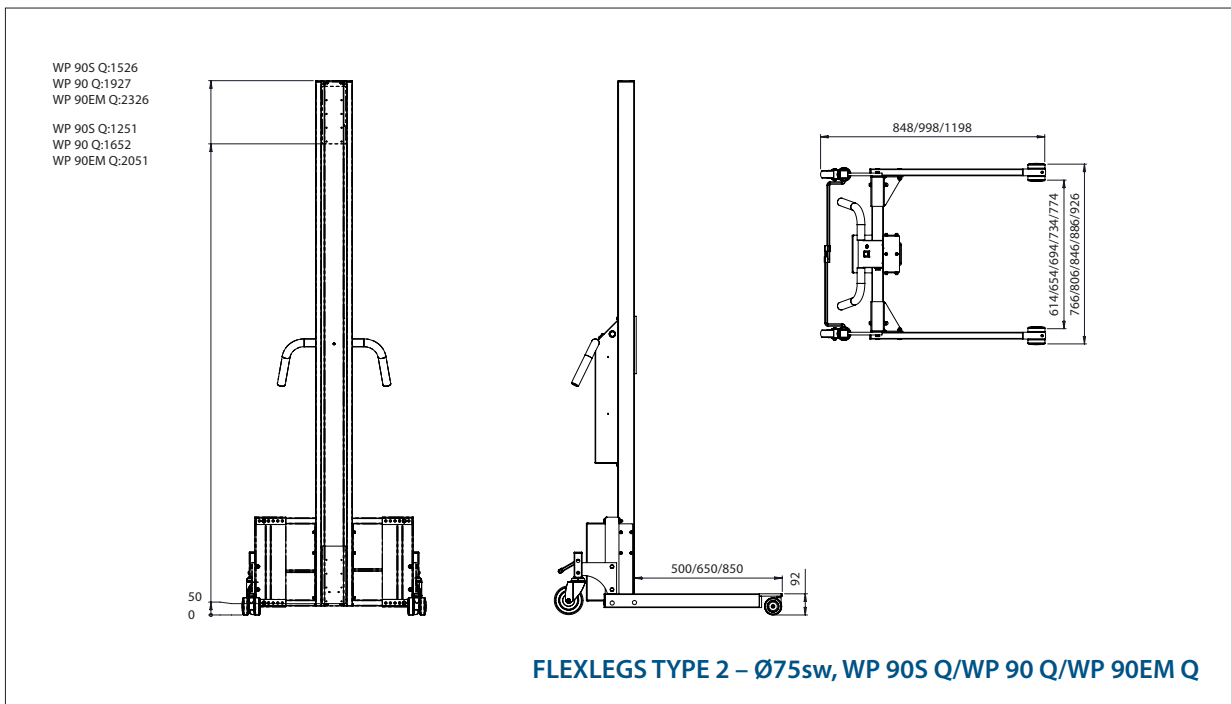
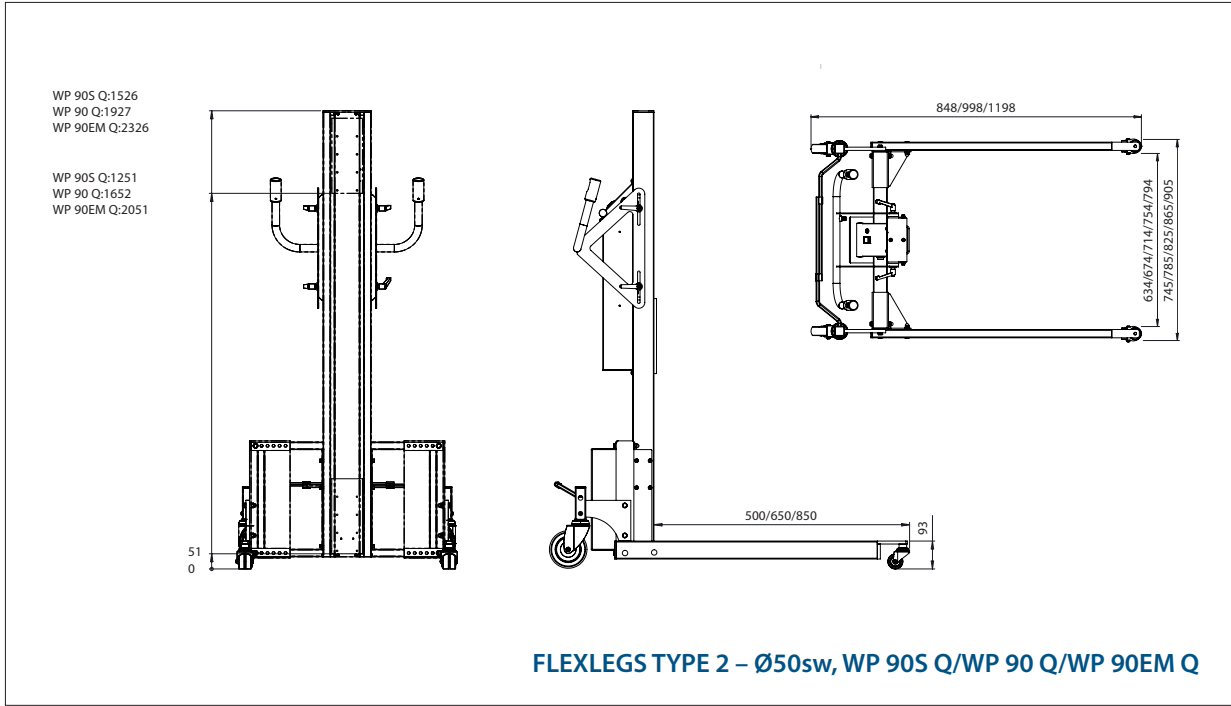
### EdmoLift AB

Jägaregatan 11, SE-871 42 Härnösand, Sweden, Tel +46 (0)611-837 80  
Fax +46 (0)611-51 15 80, E-mail: b2b@edmolift.se

# WP 90 Q

## LIFTERS - DRAWINGS & MEASUREMENTS

- All measurements in mm



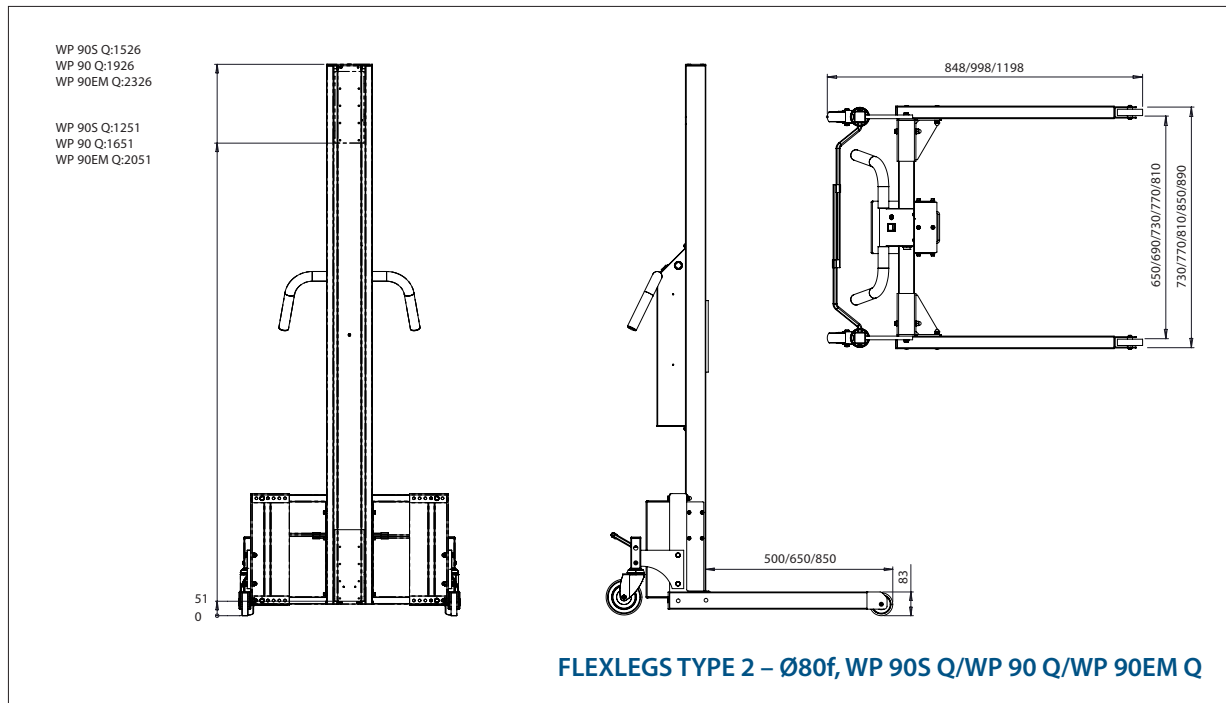
**EdmoLift AB**

Jägaregatan 11, SE-871 42 Härnösand, Sweden, Tel +46 (0)611-837 80  
Fax +46 (0)611-51 15 80, E-mail: b2b@edmolift.se

# WP 90 Q

## LIFTERS - DRAWINGS & MEASUREMENTS

- All measurements in mm



### EdmoLift AB

Jägaregatan 11, SE-871 42 Härnösand, Sweden, Tel +46 (0)611-837 80  
Fax +46 (0)611-51 15 80, E-mail: b2b@edmolift.se

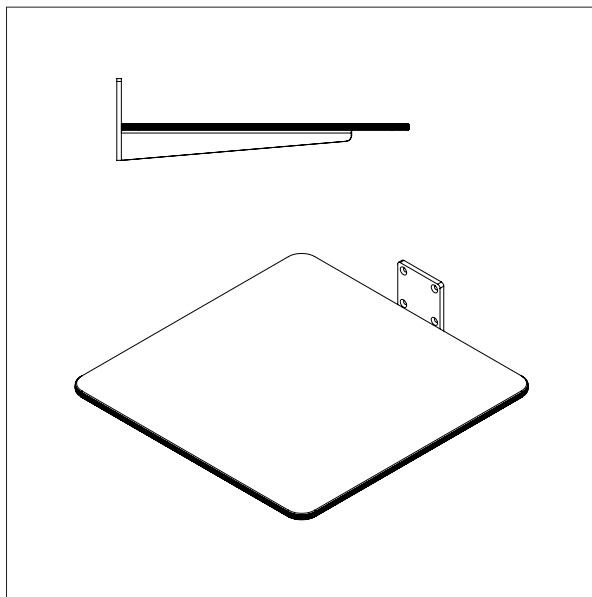
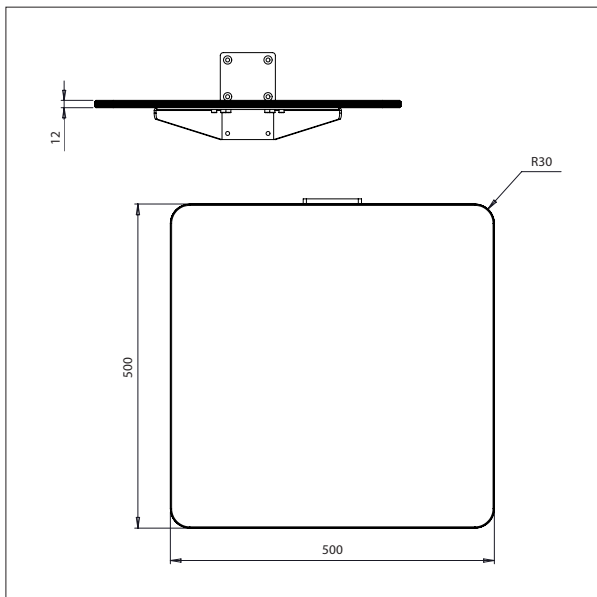
# WP 90 Q / TOOLS

## WOODEN PLATFORM

- All measurements in mm

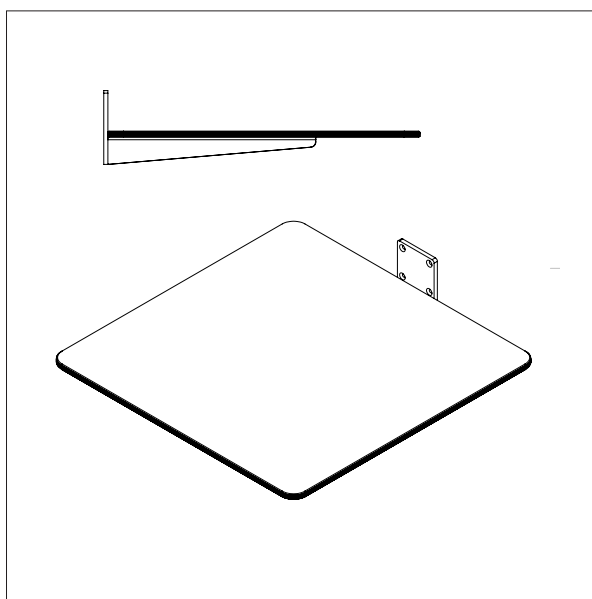
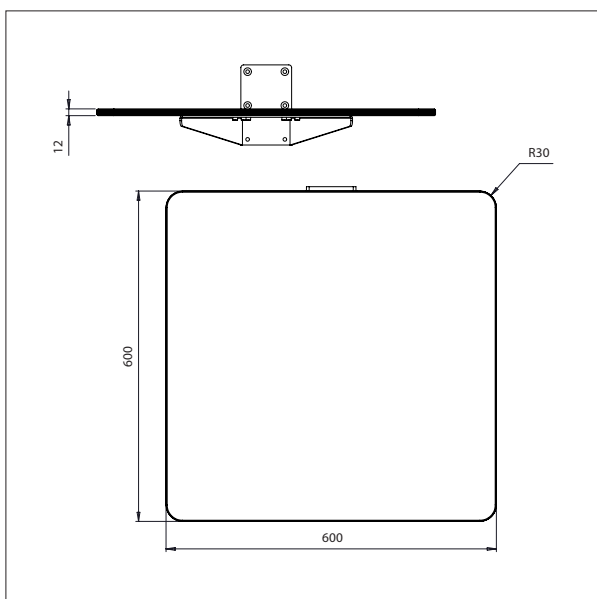
### WOODEN PLATFORM – 87360

L x W: 500 x 500 mm



### WOODEN PLATFORM – 87362

L x W: 600 x 600 mm



#### EdmoLift AB

Jägaregatan 11, SE-871 42 Härnösand, Sweden, Tel +46 (0)611-837 80  
Fax +46 (0)611-51 15 80, E-mail: b2b@edmolift.se



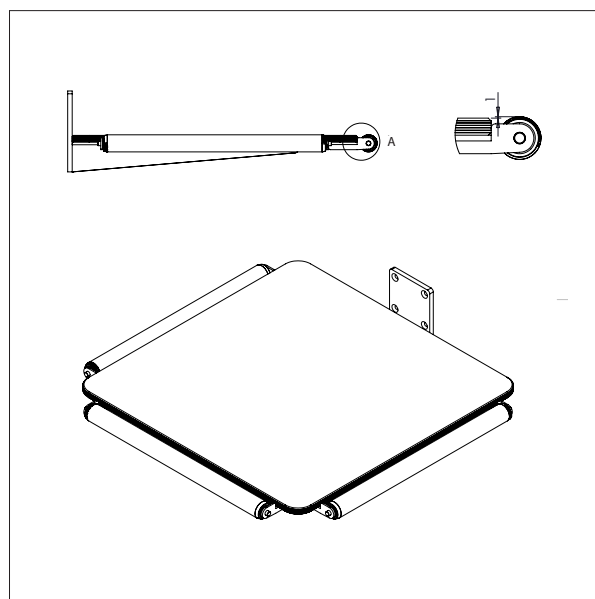
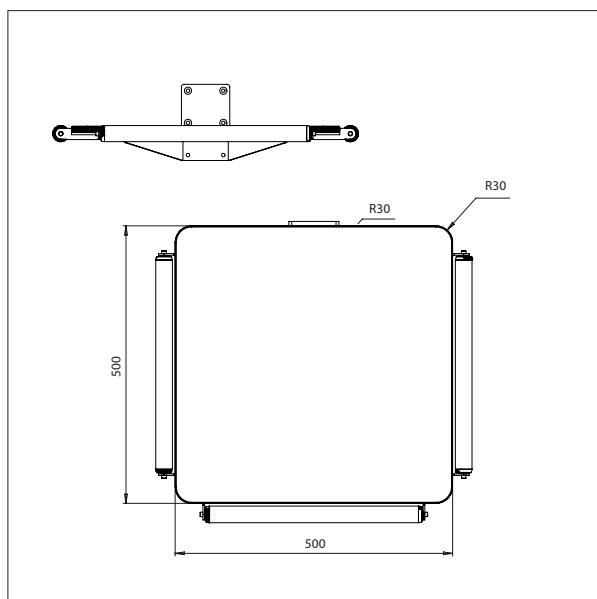
# WP 90 Q / TOOLS

## WOODEN PLATFORM

- All measurements in mm

### WOODEN PLATFORM WITH 3 ROLLERS – 87363

L x W: 500 x 500 mm



#### EdmoLift AB

Jägaregatan 11, SE-871 42 Härnösand, Sweden, Tel +46 (0)611-837 80  
Fax +46 (0)611-51 15 80, E-mail: b2b@edmolift.se

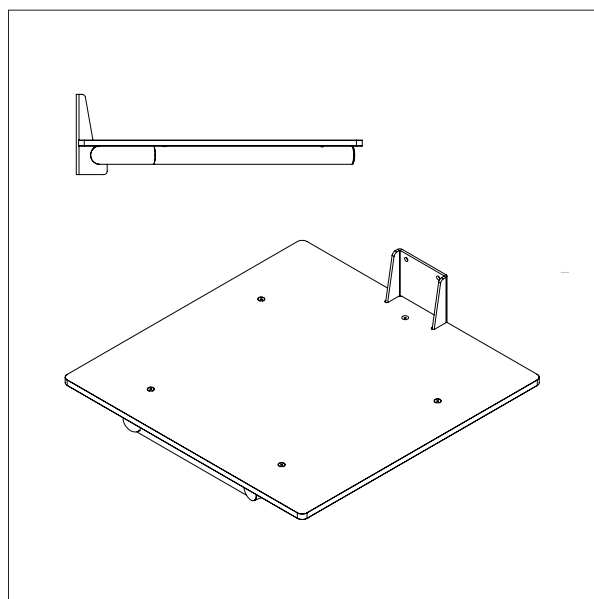
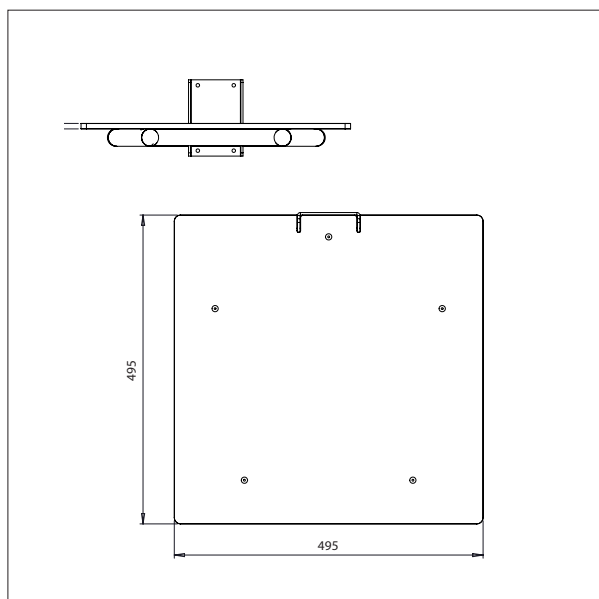
# WP 90 Q / TOOLS

## PLASTIC PLATFORM (PEHD)

- All measurements in mm

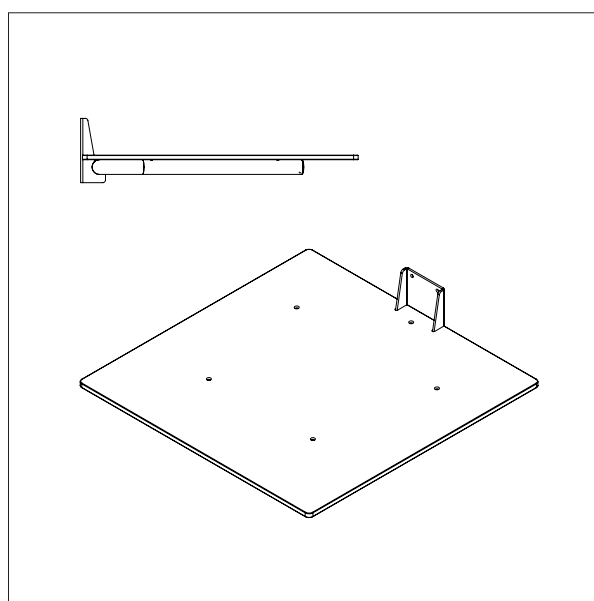
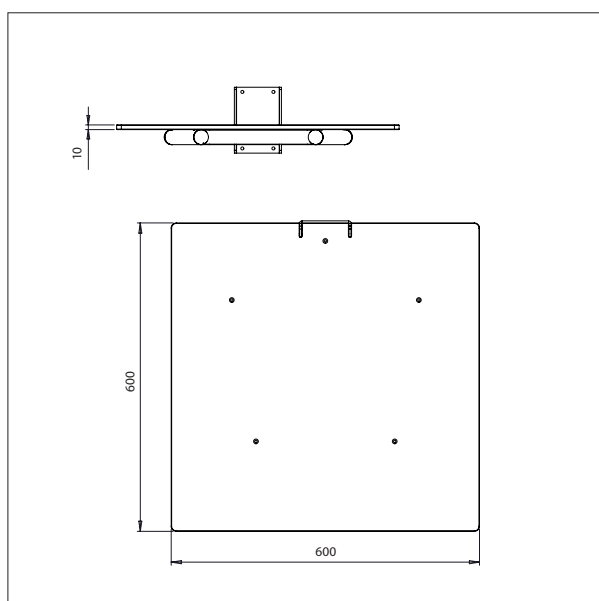
### PLASTIC PLATFORM – 87364

L x W: 500 x 500 mm



### PLASTIC PLATFORM – 87365

L x W: 600 x 600 mm



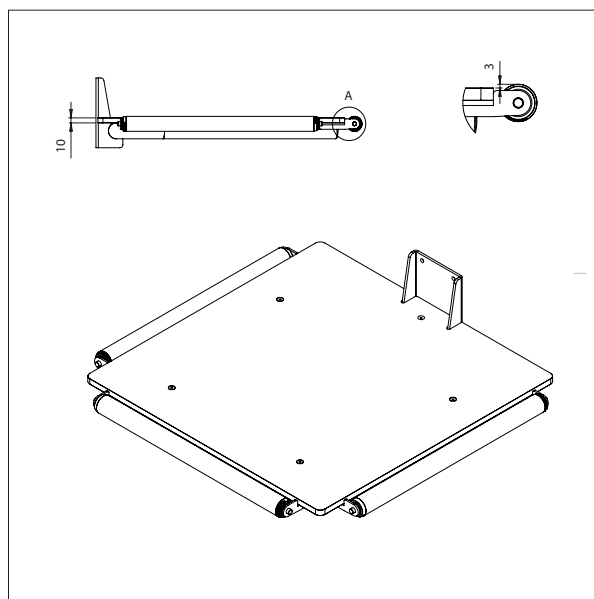
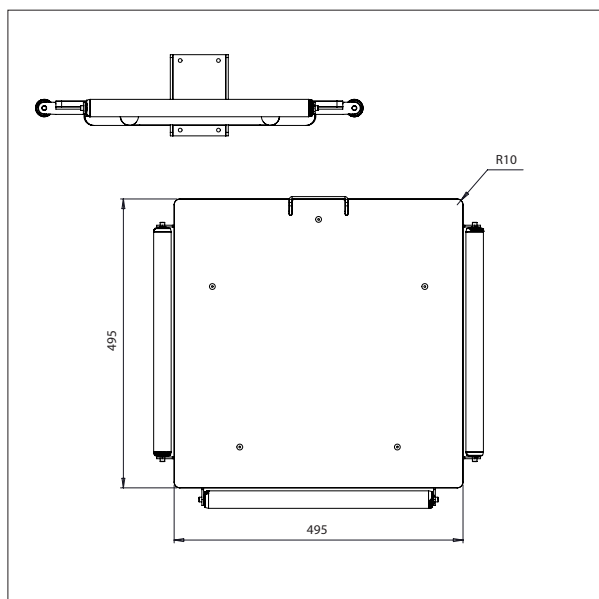
# WP 90 Q / TOOLS

## PLASTIC PLATFORM (PEHD)

- All measurements in mm

### PLASTIC PLATFORM WITH 3 ROLLERS – 87366

L x W: 500 x 500 mm



#### EdmoLift AB

Jägaregatan 11, SE-871 42 Härnösand, Sweden, Tel +46 (0)611-837 80  
Fax +46 (0)611-51 15 80, E-mail: b2b@edmolift.se

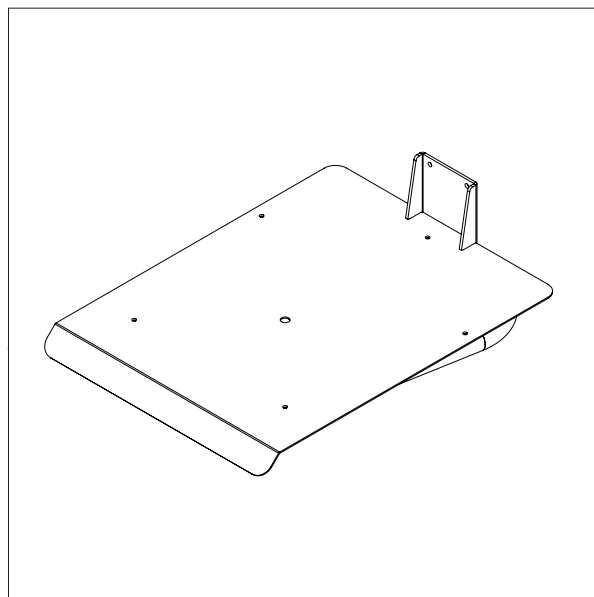
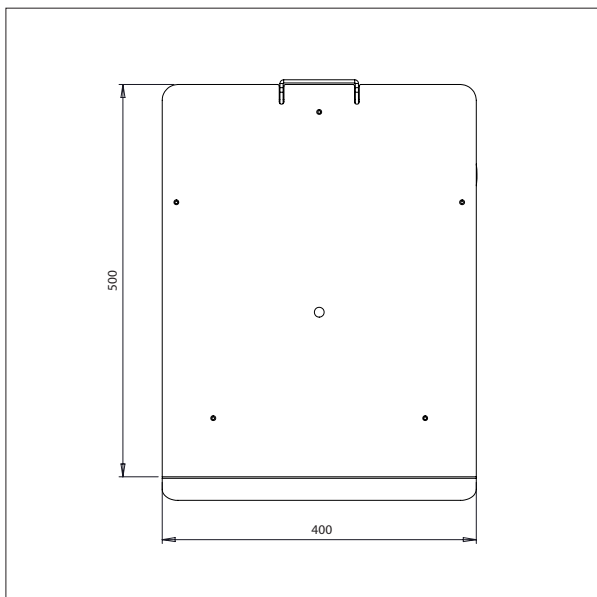
# WP 90 Q / TOOLS

## STAINLESS STEEL PLATFORM

- All measurements in mm

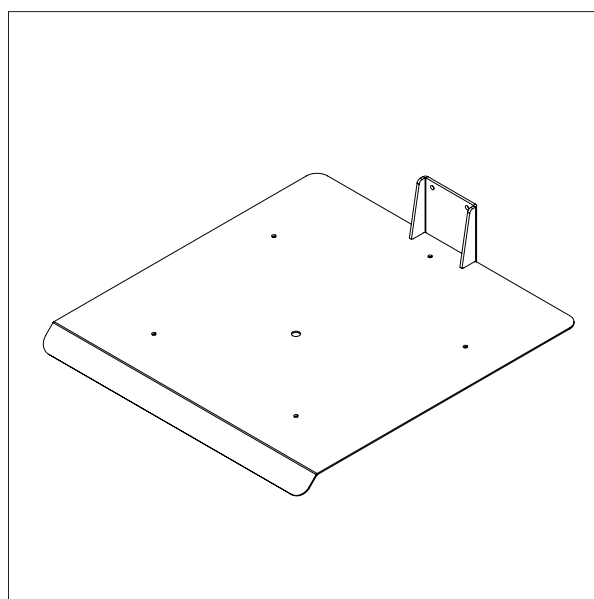
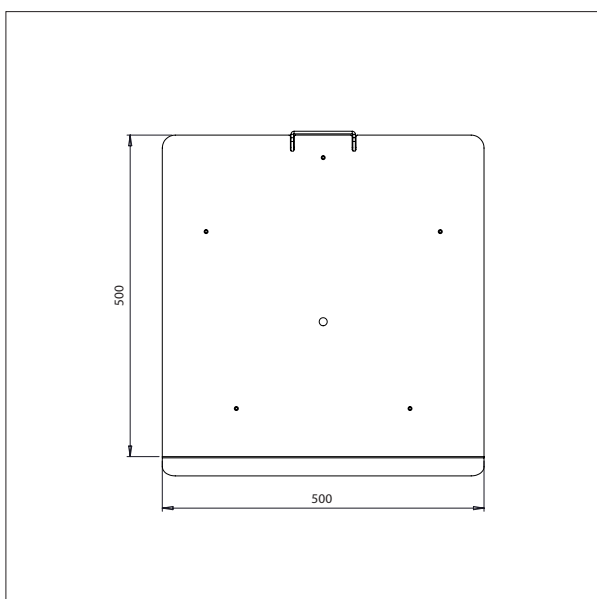
### STAINLESS STEEL PLATFORM – 87372

L x W: 500 x 400 mm



### STAINLESS STEEL PLATFORM – 87721

L x W: 500 x 500 mm



#### EdmoLift AB

Jägaregatan 11, SE-871 42 Härnösand, Sweden, Tel +46 (0)611-837 80  
Fax +46 (0)611-51 15 80, E-mail: b2b@edmolift.se

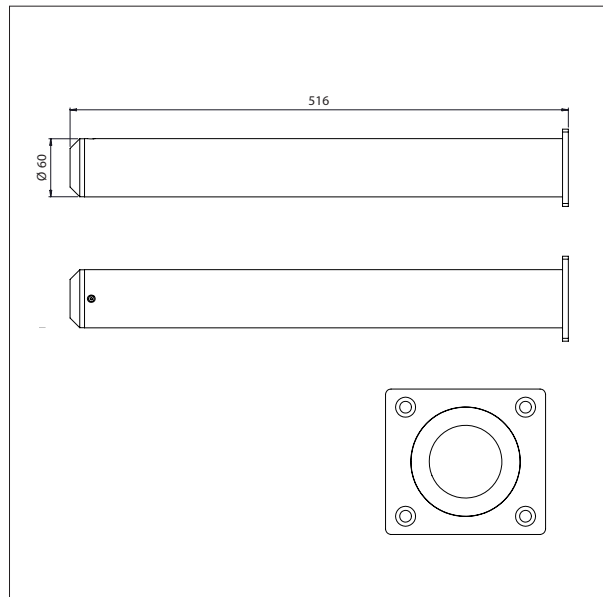
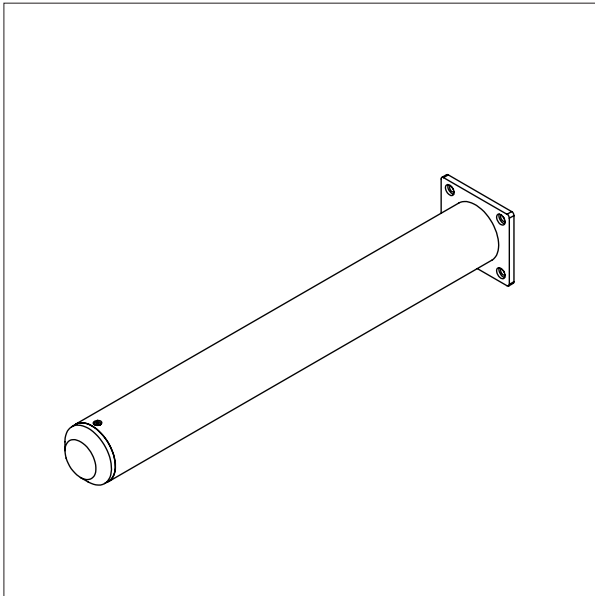
# WP 90 Q / TOOLS

## REEL MANDREL

- All measurements in mm

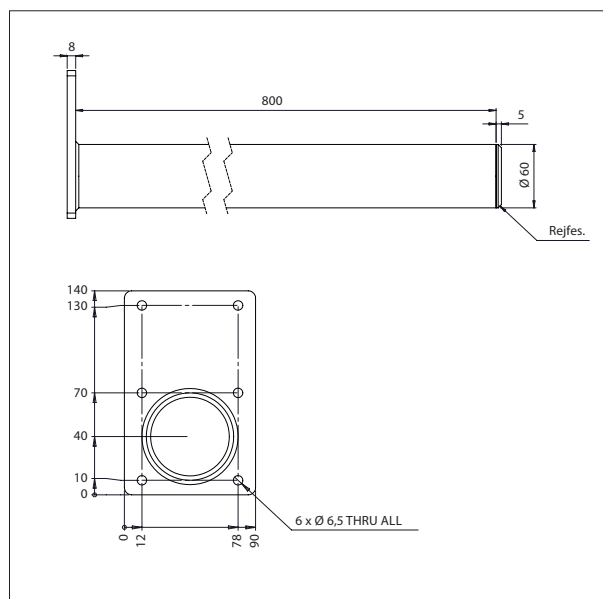
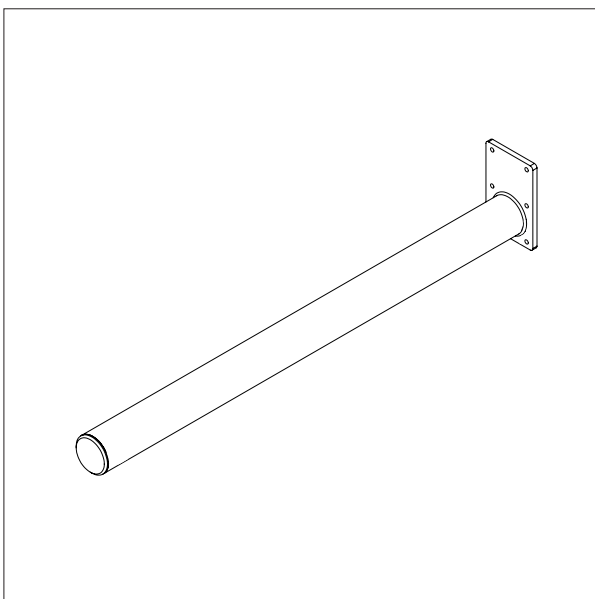
### REEL MANDREL – 87367

Ø x L: 60 x 500 mm



### REEL MANDREL – 87368

Ø x L: 60 x 800 mm



#### EdmoLift AB

Jägaregatan 11, SE-871 42 Härnösand, Sweden, Tel +46 (0)611-837 80  
Fax +46 (0)611-51 15 80, E-mail: b2b@edmolift.se

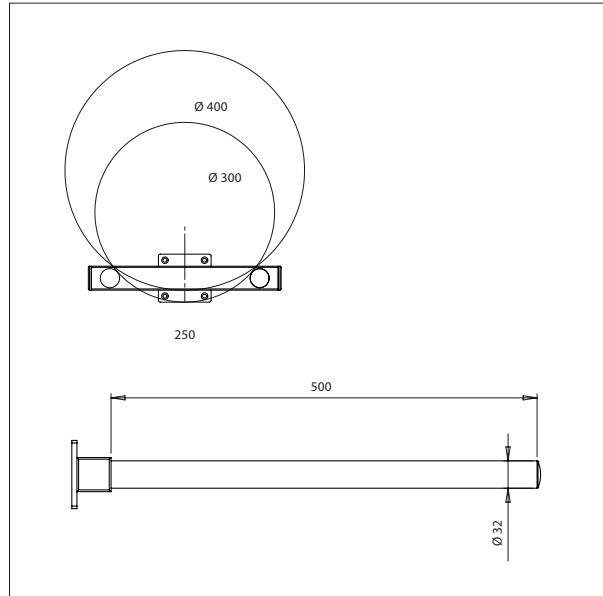
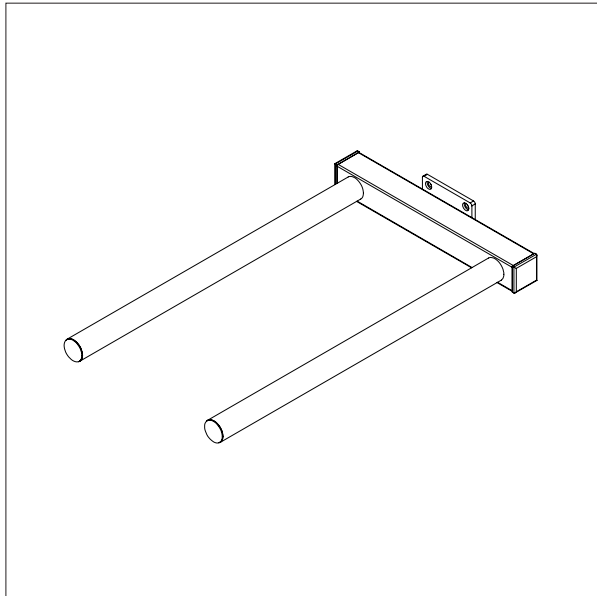
# WP 90 Q / TOOLS

## TWIN MANDREL

- All measurements in mm

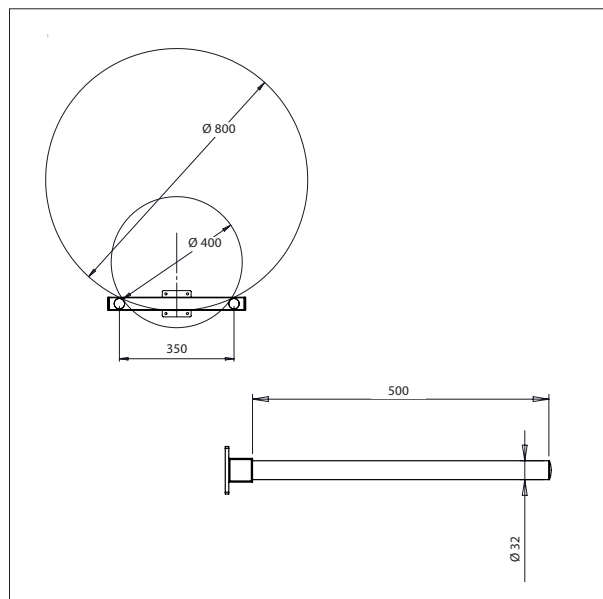
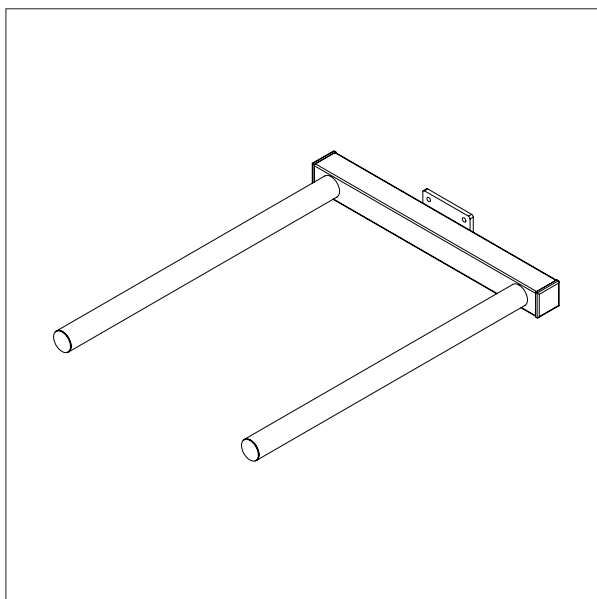
**TWIN MANDREL – 87369**  
Ø x L x W: 32 x 500 x 250 mm

Min. width of reel: Ø 300 mm  
Max. width of reel: Ø 400 mm



**TWIN MANDREL – 87370**  
Ø x L x W: 32 x 500 x 350 mm

Min. width of reel: Ø 400 mm  
Max. width of reel: Ø 800 mm



**EdmoLift AB**

Jägaregatan 11, SE-871 42 Härnösand, Sweden, Tel +46 (0)611-837 80  
Fax +46 (0)611-51 15 80, E-mail: b2b@edmolift.se

   
www.edmolift.se

# WP 90 Q / TOOLS

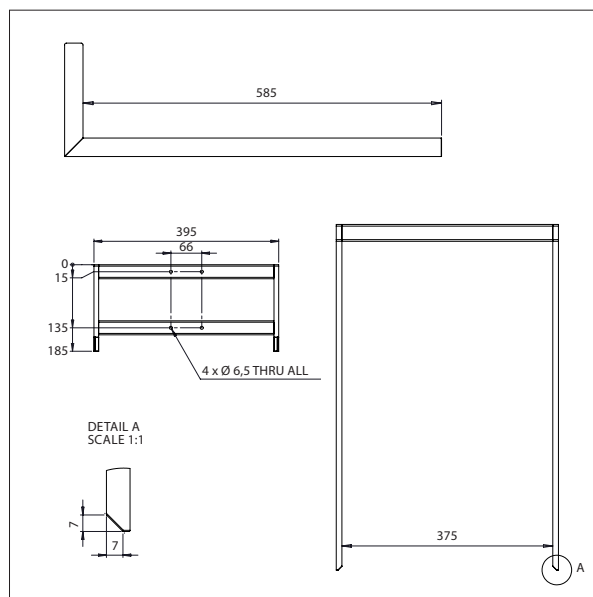
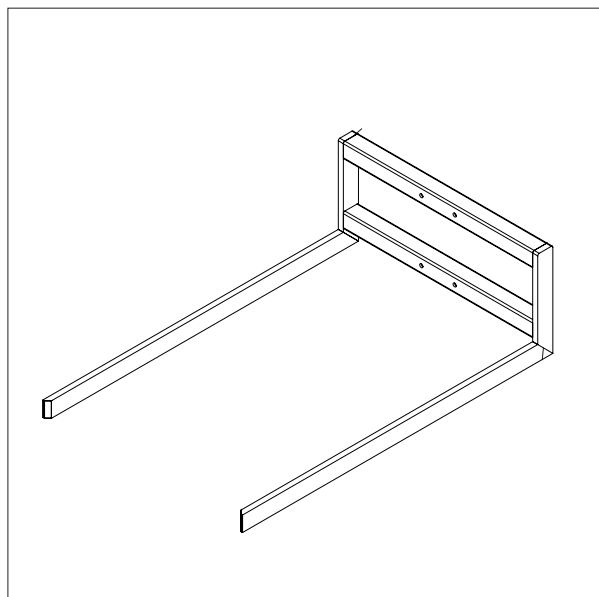
## LIFTING FORK

- All measurements in mm

### LIFTING FORK - 87416

L x W: 585 x 375 mm

For 600 x 400 mm boxes



### EdmoLift AB

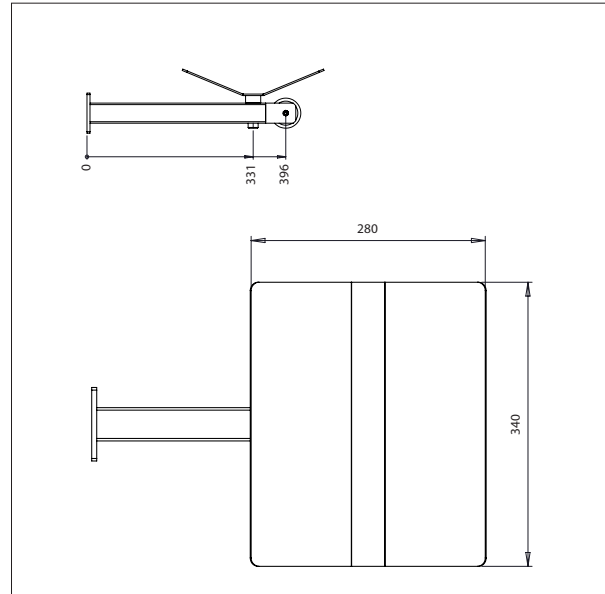
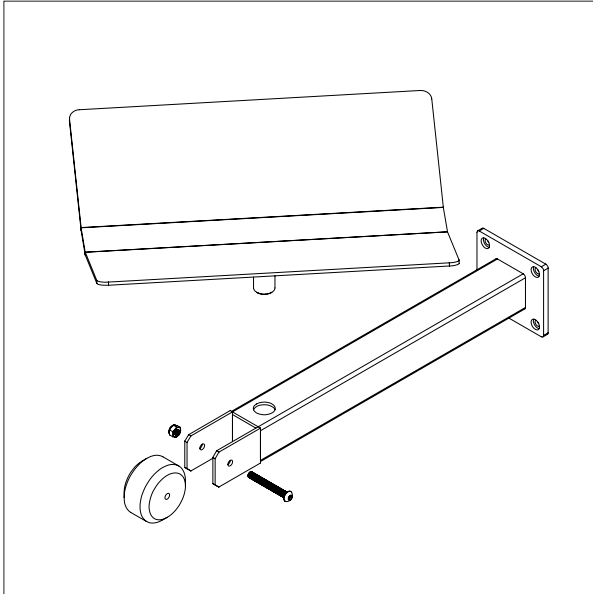
Jägaregatan 11, SE-871 42 Härnösand, Sweden, Tel +46 (0)611-837 80  
Fax +46 (0)611-51 15 80, E-mail: b2b@edmolift.se

# WP 90 Q / TOOLS

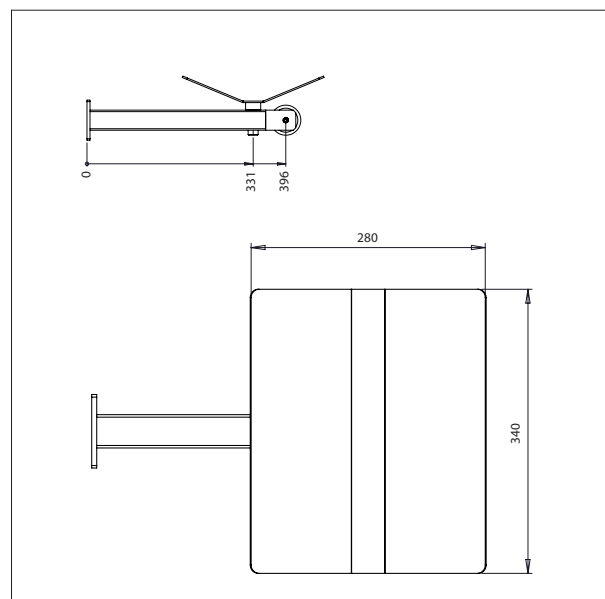
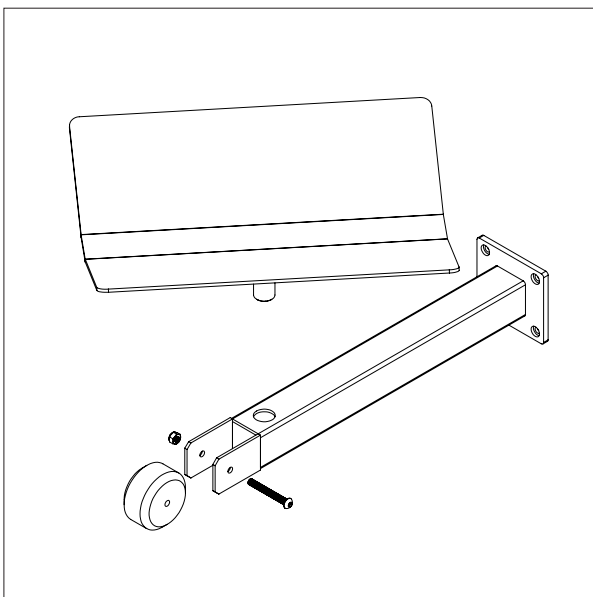
## REEL MANDREL WITH FRONT ROLLER AND V-CRADLE

- All measurements in mm

### REEL MANDREL WITH FRONT ROLLER AND V-CRADLE – 87371



### REEL MANDREL WITH FRONT ROLLER AND V-CRADLE – 87722



#### EdmoLift AB

Jägaregatan 11, SE-871 42 Härnösand, Sweden, Tel +46 (0)611-837 80  
Fax +46 (0)611-51 15 80, E-mail: b2b@edmolift.se



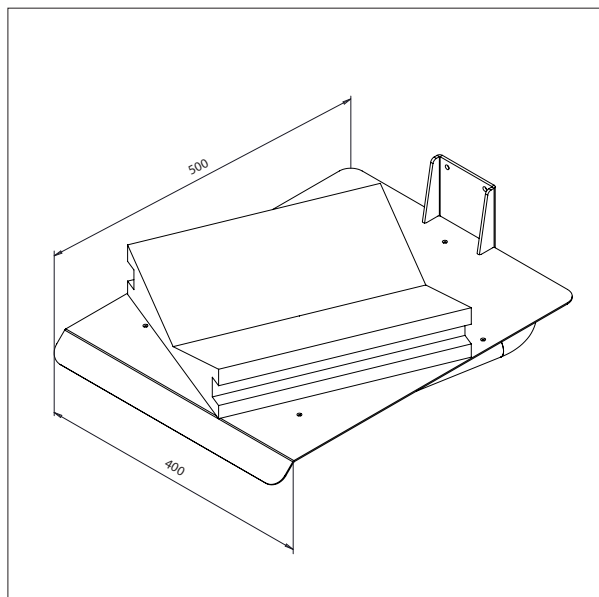
# WP 90 Q / TOOLS

## STAINLESS STEEL PLATFORM + V-CRADLE

- All measurements in mm

### STAINLESS STEEL PLATFORM + V-CRADLE - 87412

Platform: 500 x 400



#### EdmoLift AB

Jägaregatan 11, SE-871 42 Härnösand, Sweden, Tel +46 (0)611-837 80  
Fax +46 (0)611-51 15 80, E-mail: b2b@edmolift.se

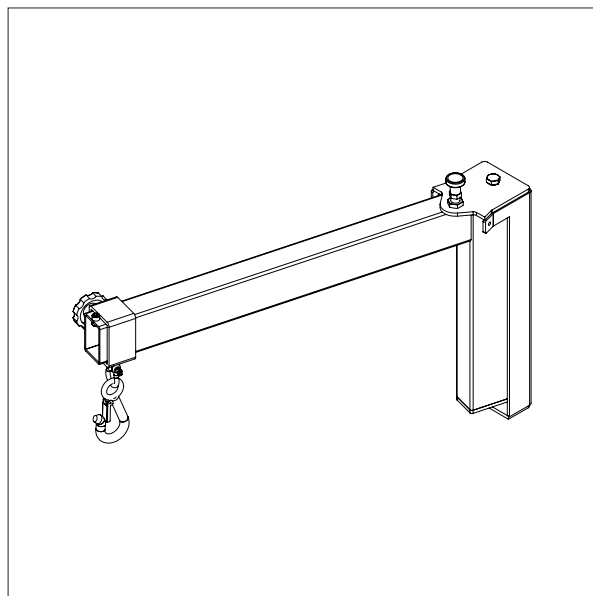
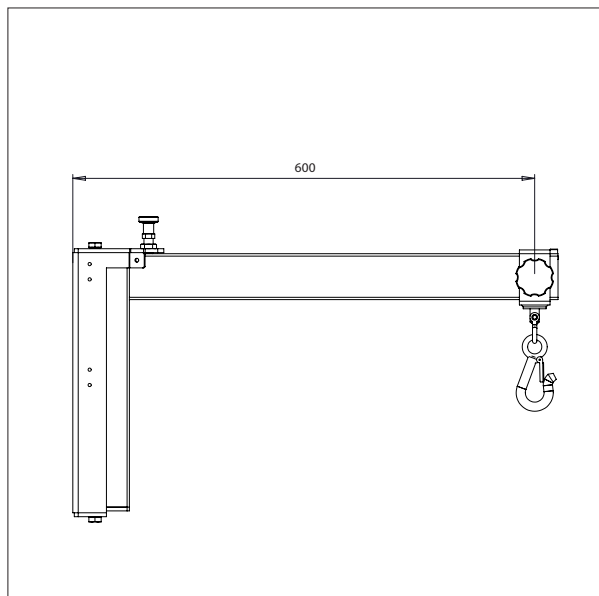
# WP 90 Q / TOOLS

## JIB ARM WITH LIFTING HOOK

- All measurements in mm

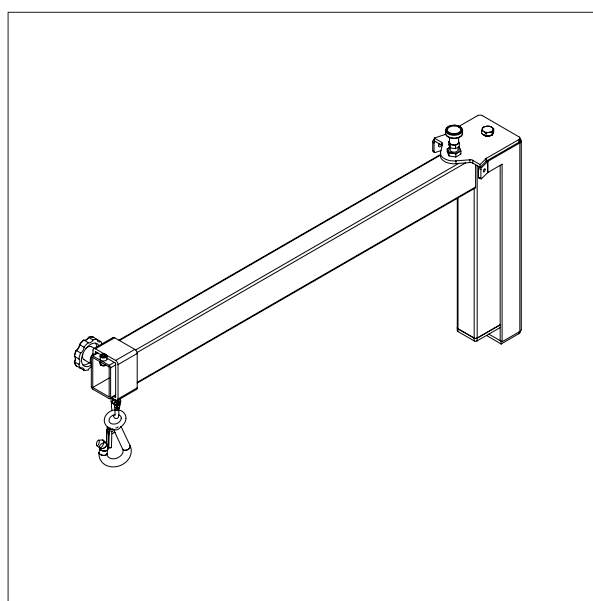
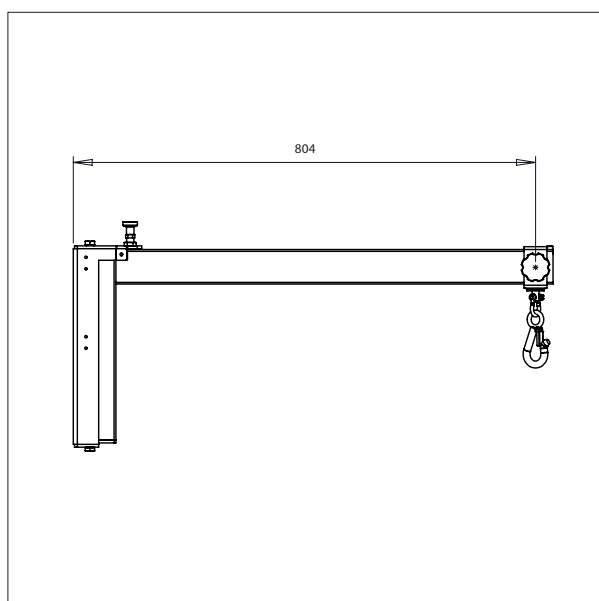
### JIB ARM WITH LIFTING HOOK - 87723

Length: 600, Swing  $\pm 15^\circ$



### JIB ARM WITH LIFTING HOOK - 87724

Length: 800, Swing  $\pm 15^\circ$



#### EdmoLift AB

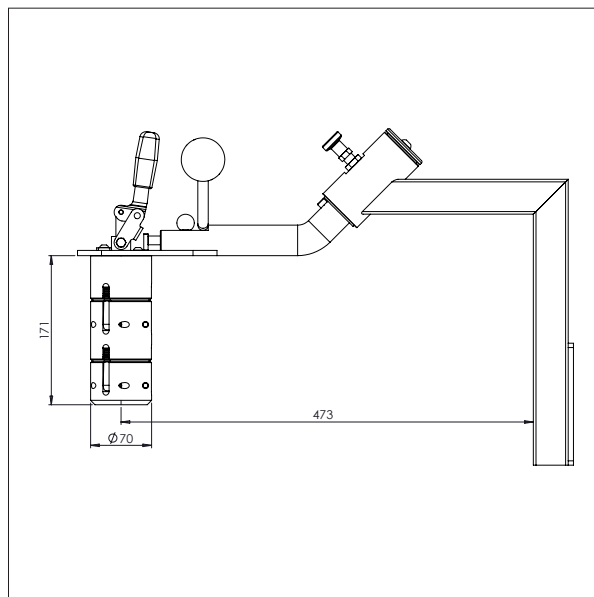
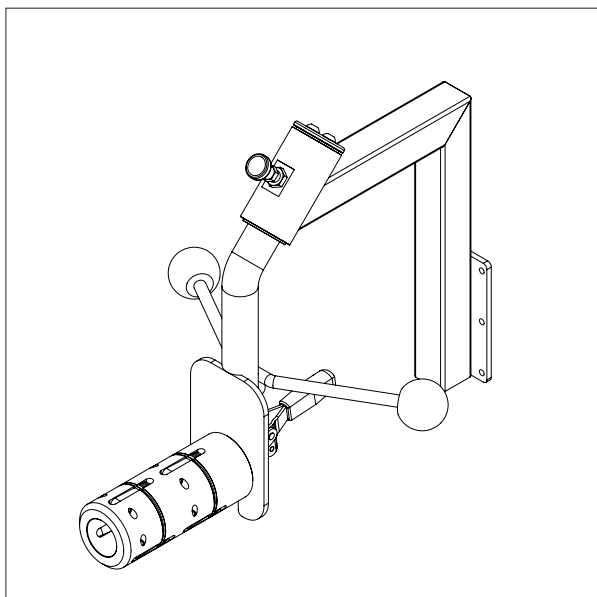
Jägaregatan 11, SE-871 42 Härnösand, Sweden, Tel +46 (0)611-837 80  
Fax +46 (0)611-51 15 80, E-mail: b2b@edmolift.se

# WP 90 Q / TOOLS

## REEL ROTATOR

- All measurements in mm

REEL ROTATOR – 87799



### EdmoLift AB

Jägaregatan 11, SE-871 42 Härnösand, Sweden, Tel +46 (0)611-837 80  
Fax +46 (0)611-51 15 80, E-mail: b2b@edmolift.se

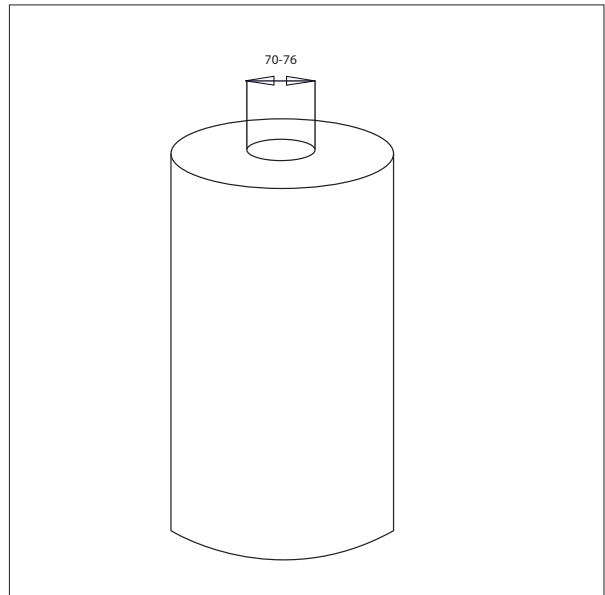
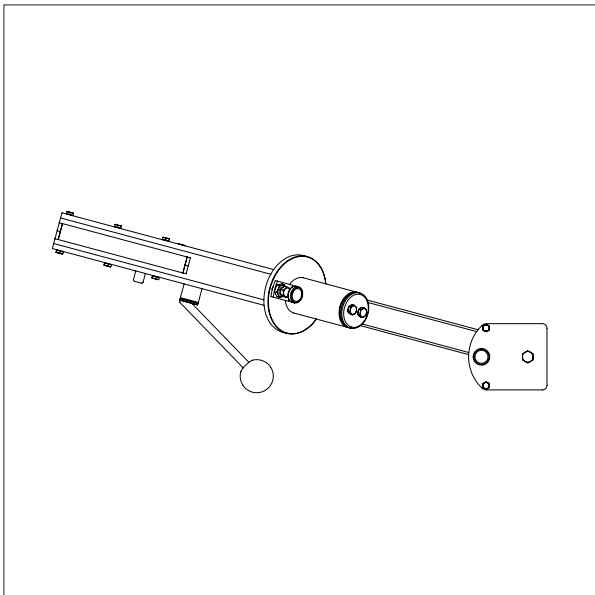
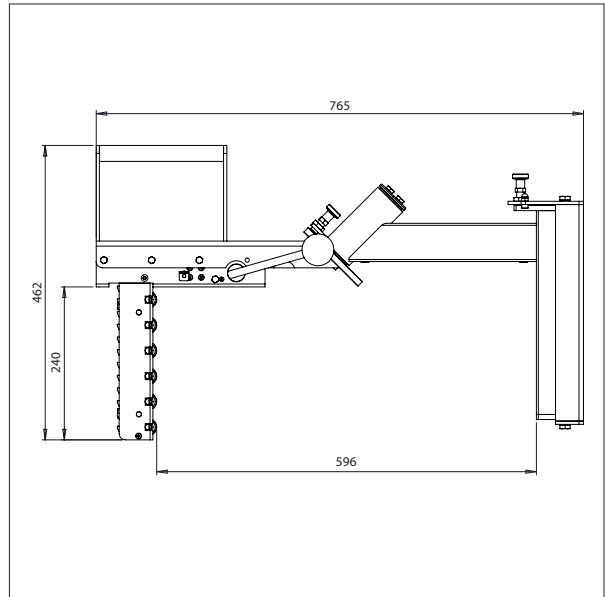
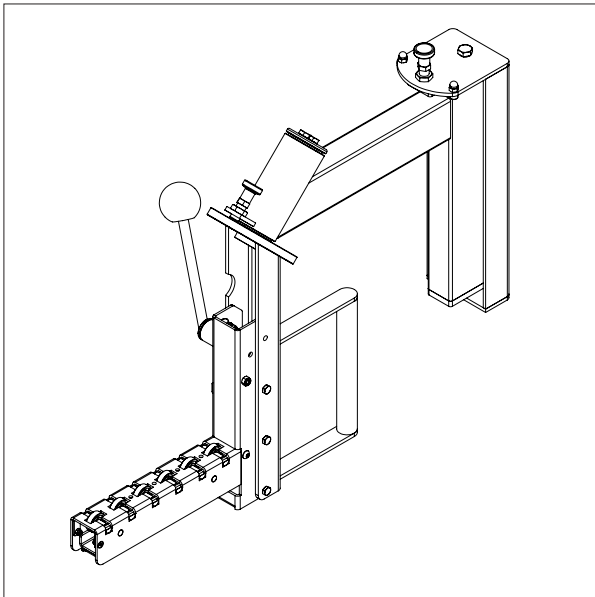
# WP 90 Q / TOOLS

## REEL ROTATOR

- All measurements in mm

### REEL ROTATOR - 87618

Swing  $\pm 15^\circ$



#### EdmoLift AB

Jägaregatan 11, SE-871 42 Härnösand, Sweden, Tel +46 (0)611-837 80  
Fax +46 (0)611-51 15 80, E-mail: b2b@edmolift.se

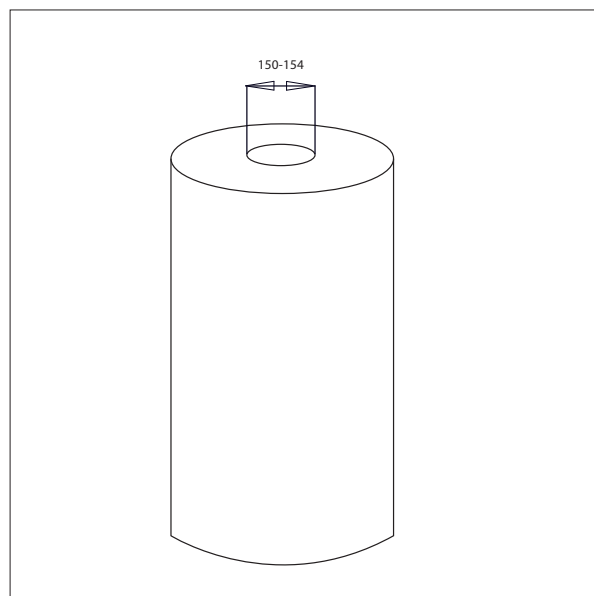
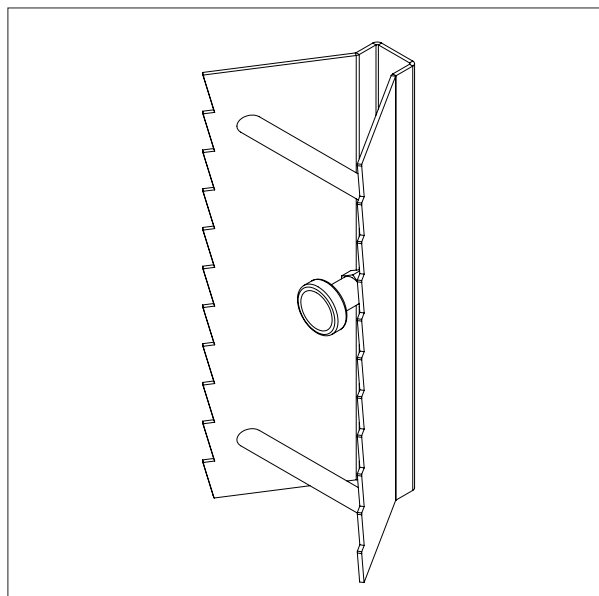
# WP 90 Q / TOOLS

## MANDREL ENLARGER

- All measurements in mm

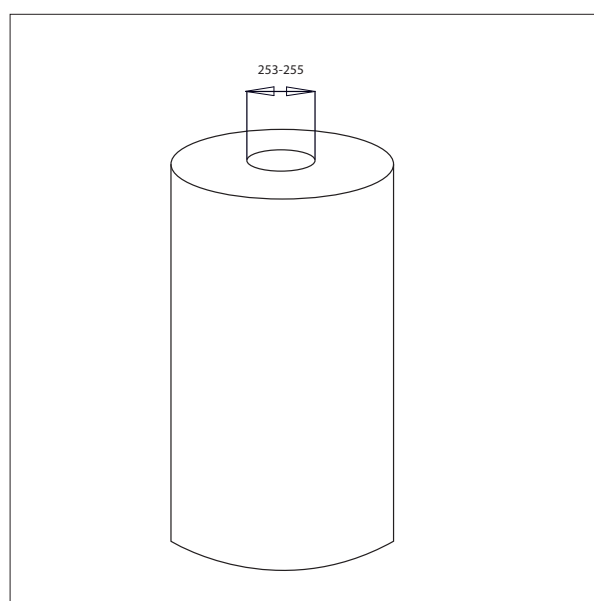
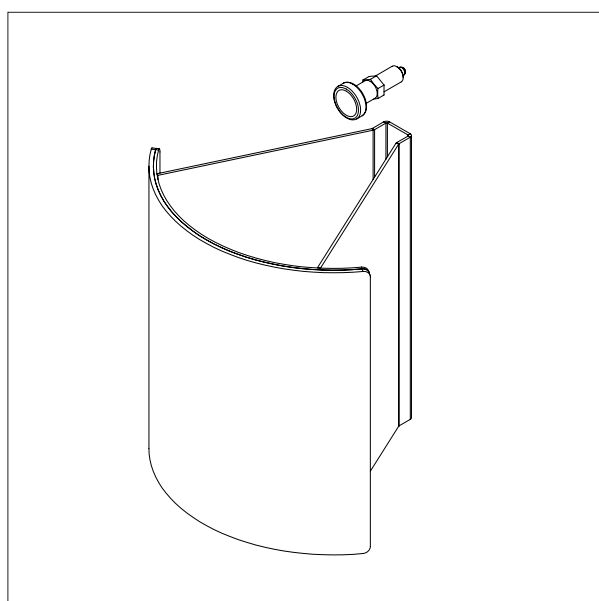
### MANDREL ENLARGER - 87627

For:  $\varnothing 125$  mm/6"



### MANDREL ENLARGER - 87628

For:  $\varnothing 254$  mm/10"



#### EdmoLift AB

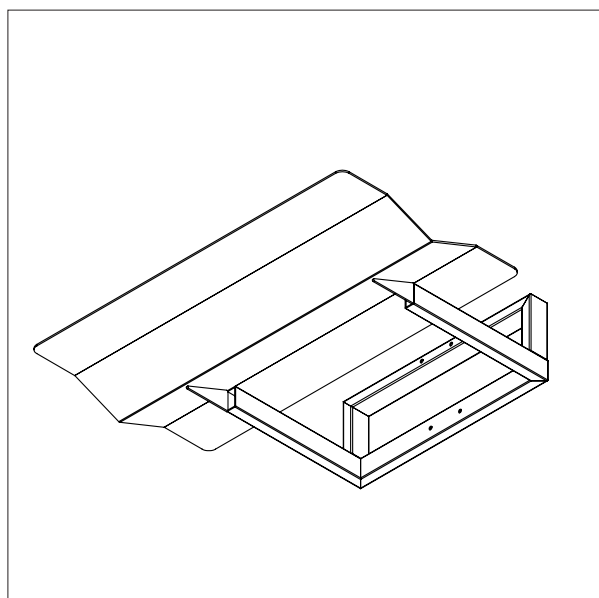
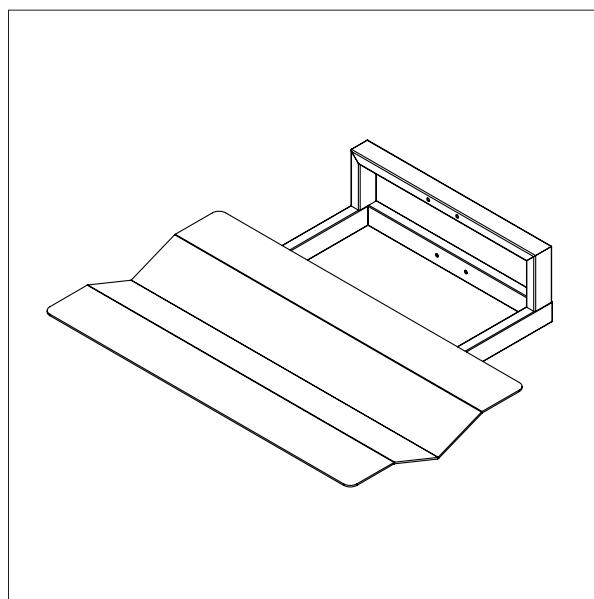
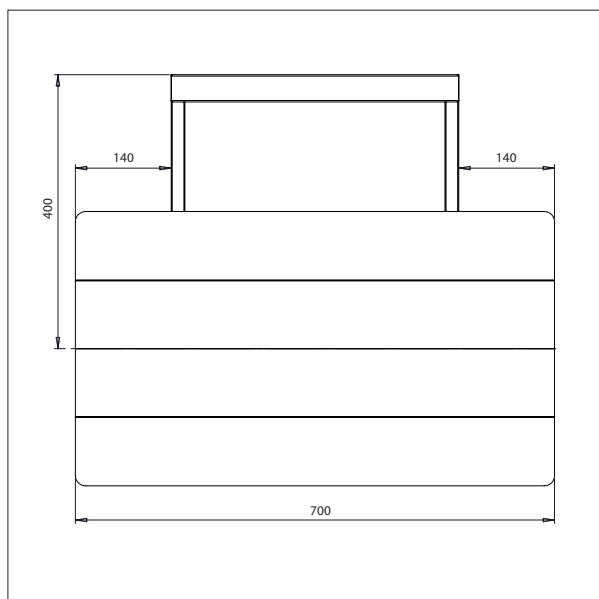
Jägaregatan 11, SE-871 42 Härnösand, Sweden, Tel +46 (0)611-837 80  
Fax +46 (0)611-51 15 80, E-mail: b2b@edmolift.se

# WP 90 Q / TOOLS

## FIXED V-CRADLE

- All measurements in mm

### FIXED V-CRADLE - 87725



#### EdmoLift AB

Jägaregatan 11, SE-871 42 Härnösand, Sweden, Tel +46 (0)611-837 80  
Fax +46 (0)611-51 15 80, E-mail: b2b@edmolift.se