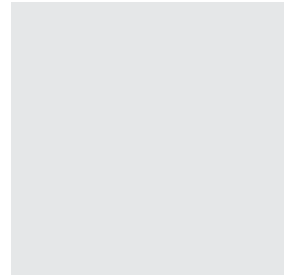
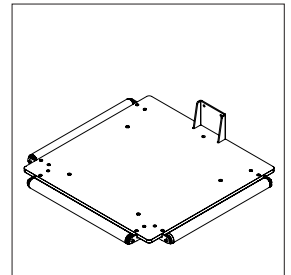
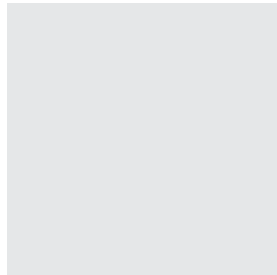
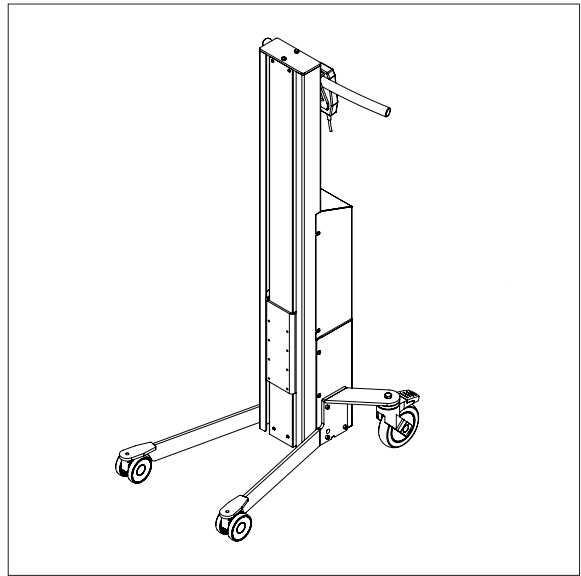
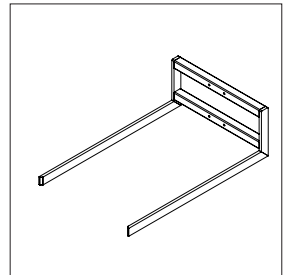
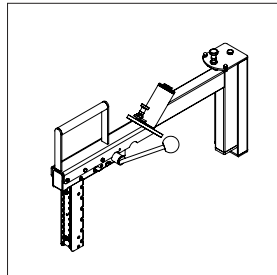
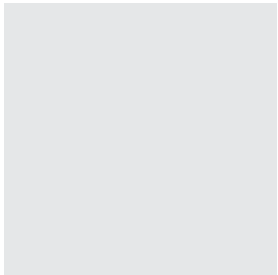
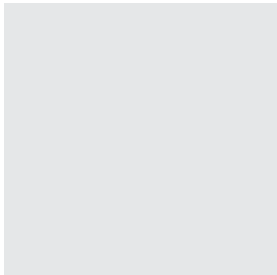


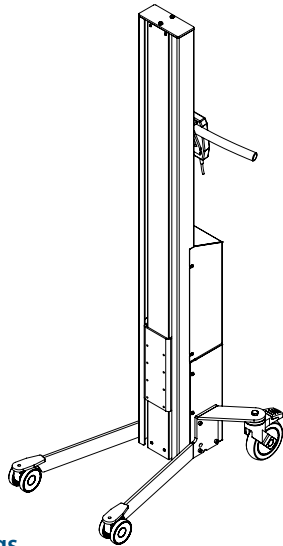
WP 90 SS Q LIFT TROLLEYS & TOOLS

- DRAWINGS & MEASUREMENTS

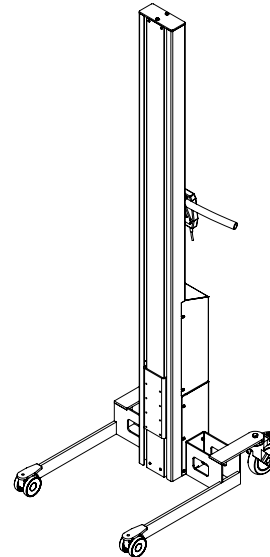


WP 90 SS Q

3 MAST HEIGHTS AND 2 LEG TYPES



Angled Legs
WP 90S SS Q/WP 90 SS Q/WP 90EM SS Q



Box Legs
WP 90S SS Q/WP 90 SS Q/WP 90EM SS Q

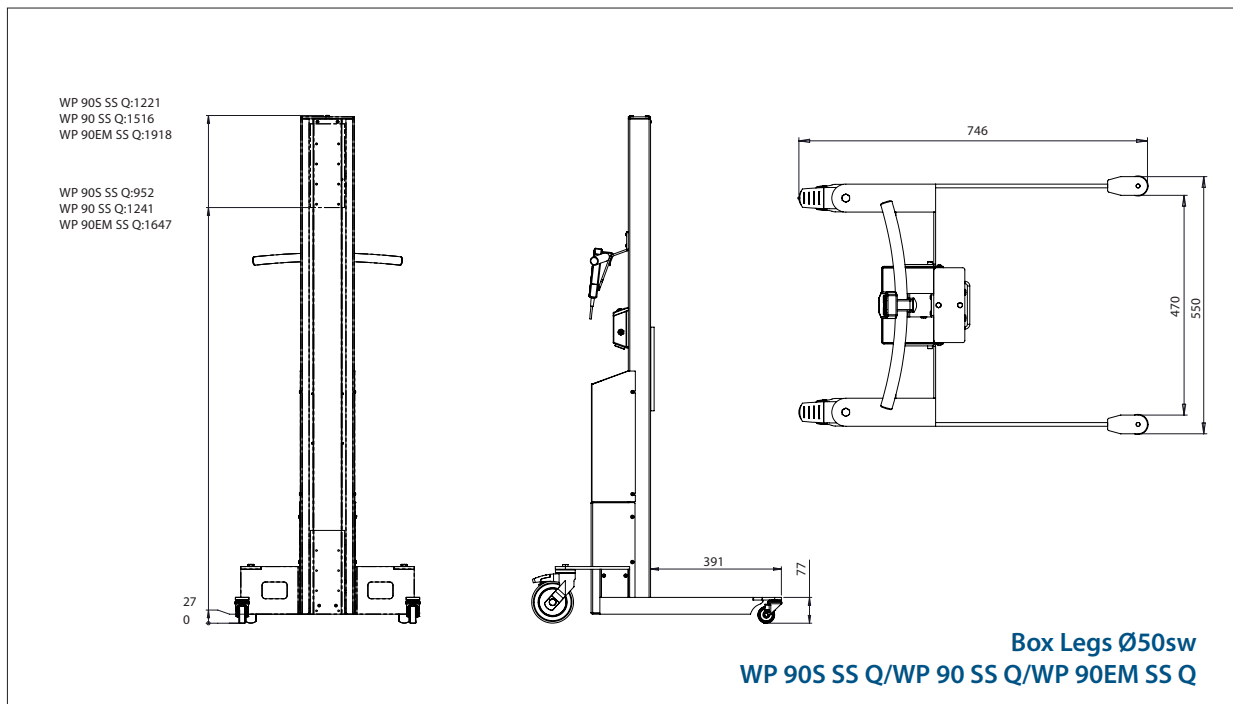
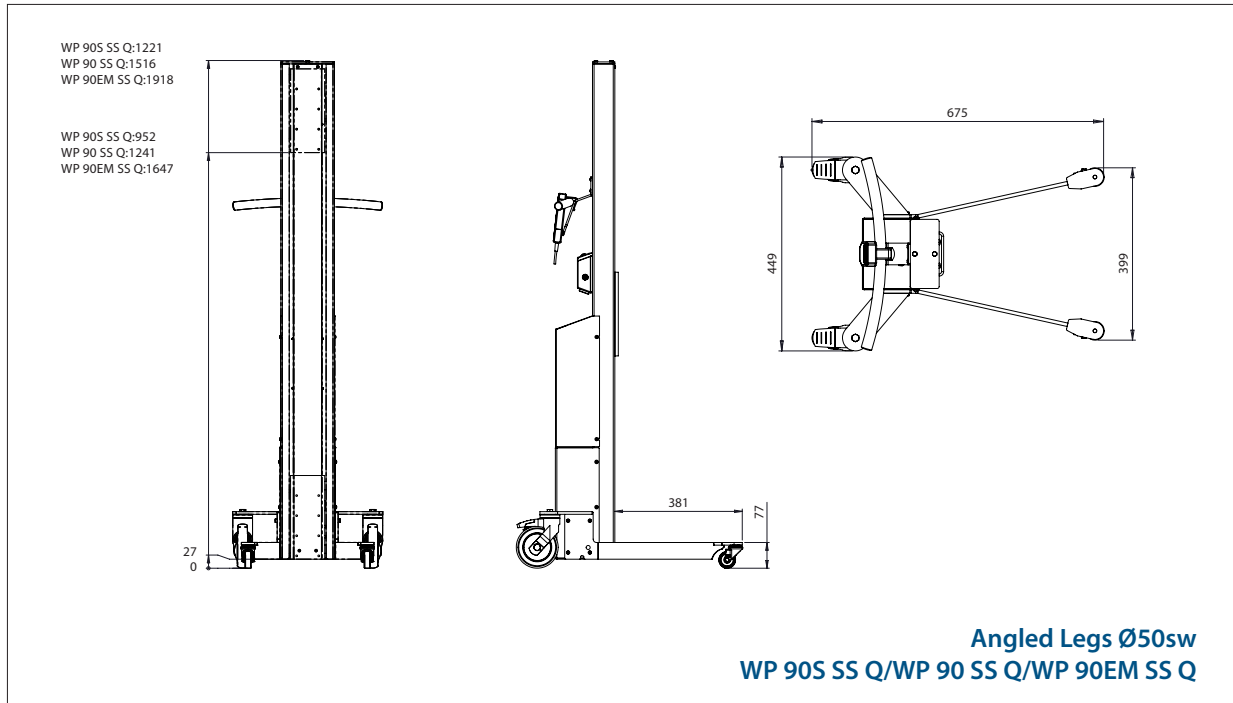
EdmoLift AB

Jägaregatan 11, SE-871 42 Härnösand, Sweden, Tel +46 (0)611-837 80
Fax +46 (0)611-51 15 80, E-mail: b2b@edmolift.se

WP 90 SS Q

LIFTERS - DRAWINGS & MEASUREMENTS

- All measurements in mm



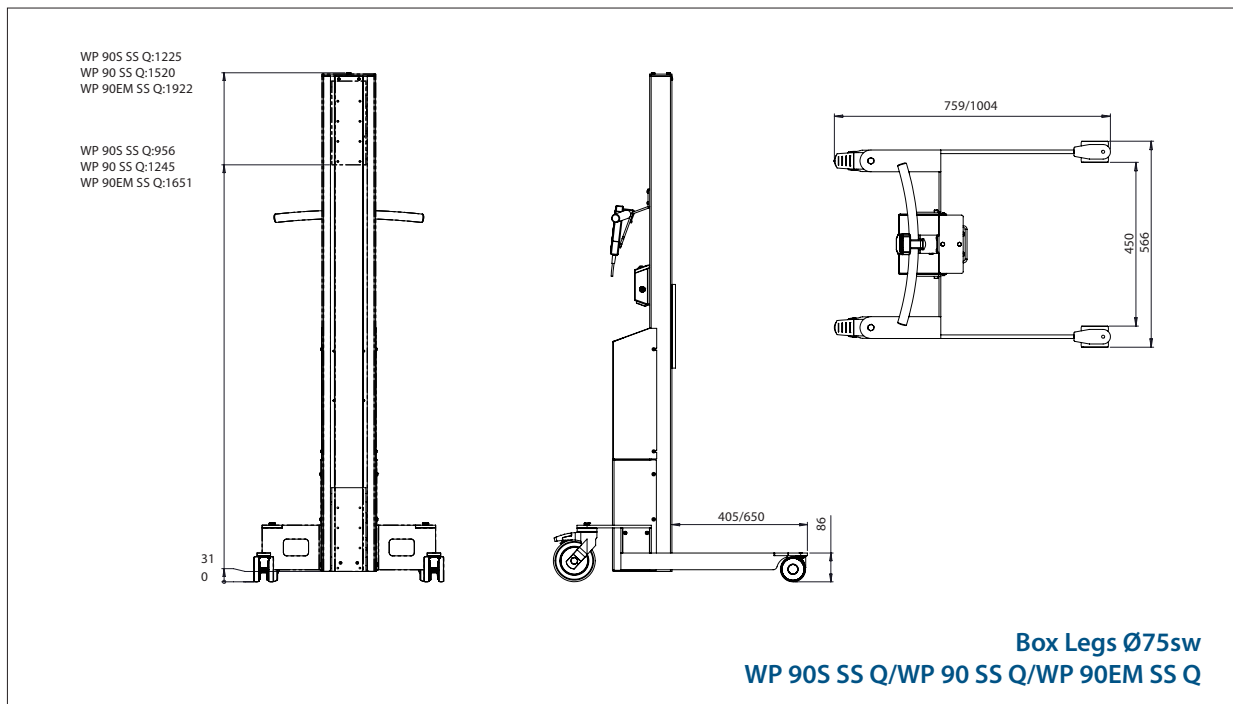
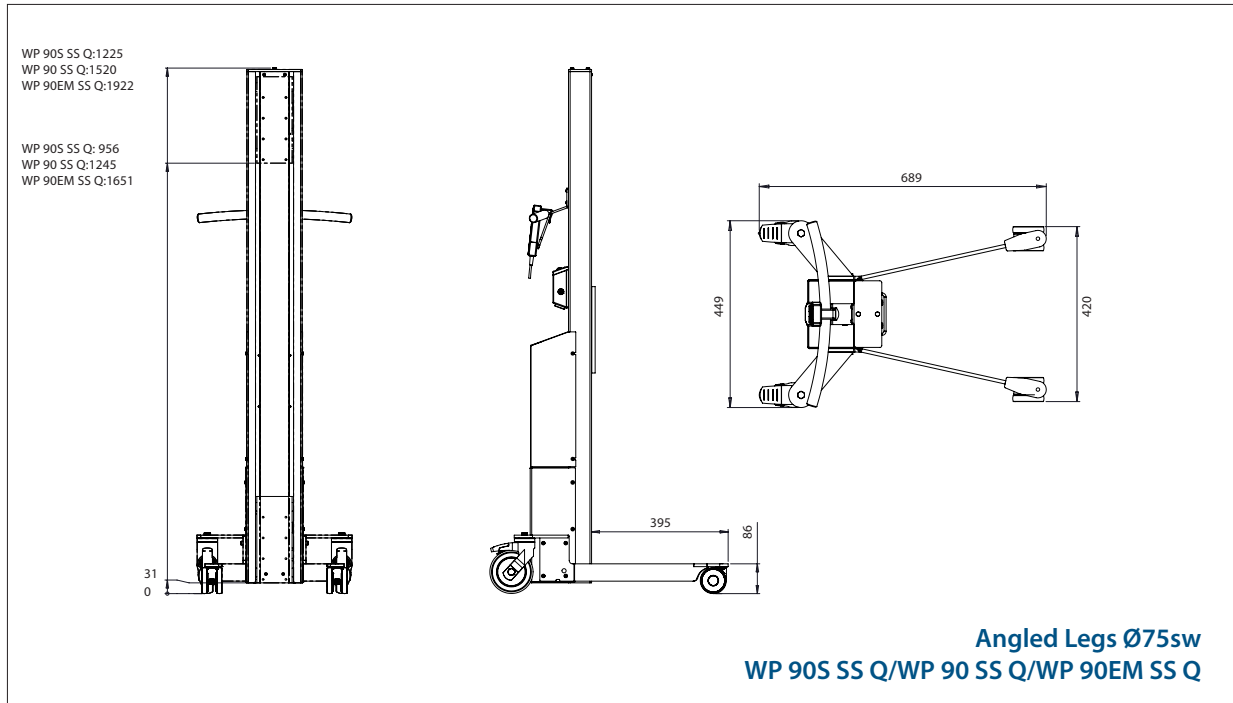
EdmoLift AB

Jägaregatan 11, SE-871 42 Härnösand, Sweden, Tel +46 (0)611-837 80
Fax +46 (0)611-51 15 80, E-mail: b2b@edmolift.se

WP 90 SS Q

LIFTERS - DRAWINGS & MEASUREMENTS

- All measurements in mm



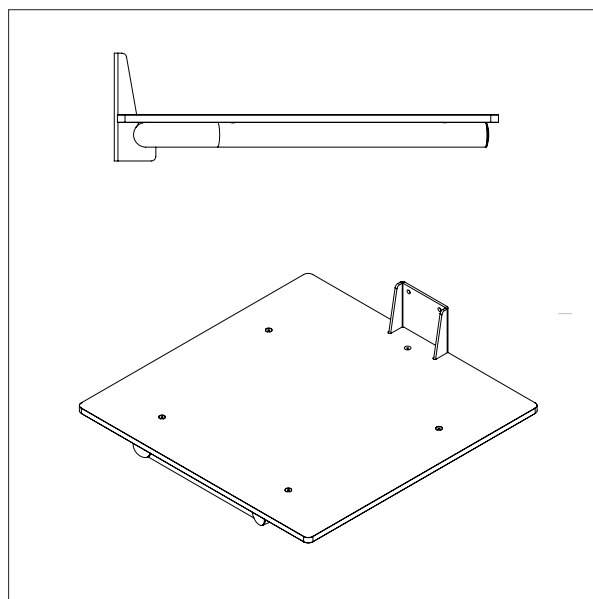
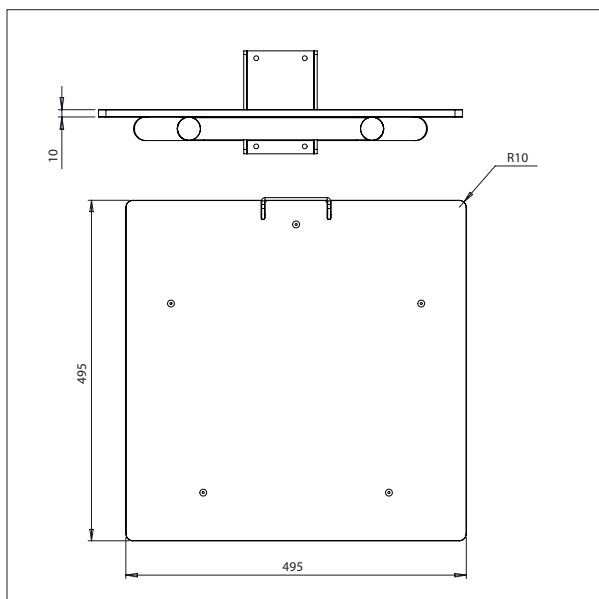
WP 90 SS Q / TOOLS

PLASTIC PLATFORM (PEHD)

- All measurements in mm

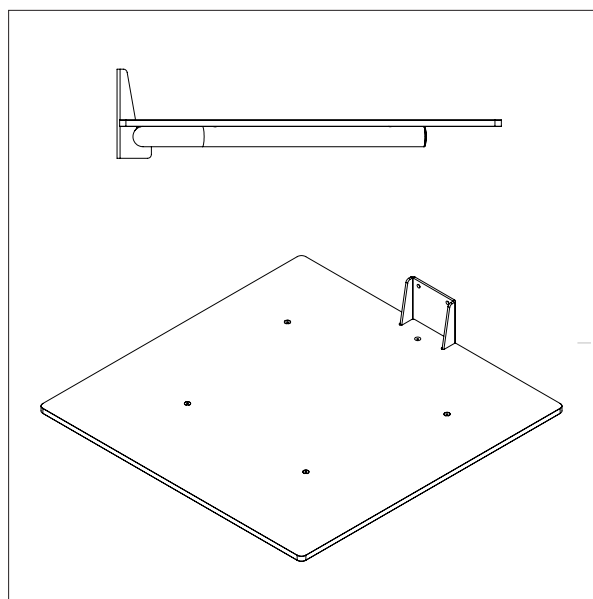
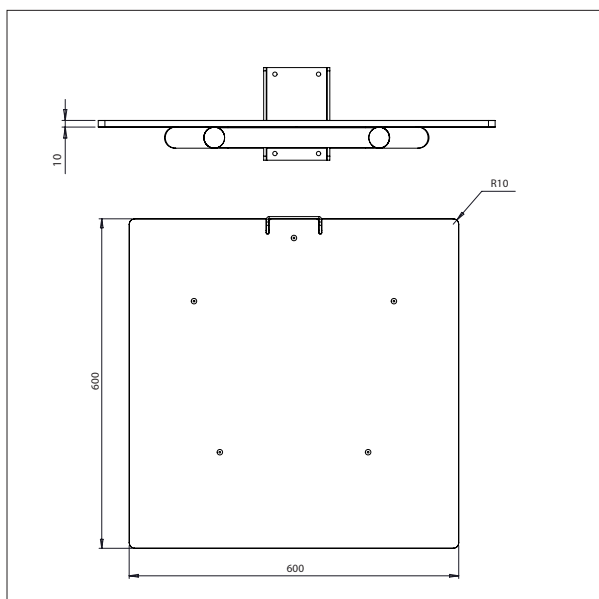
PLASTIC PLATFORM – 87796

L x W: 495 x 495 mm



PLASTIC PLATFORM – 87795

L x W: 600 x 600 mm



EdmoLift AB

Jägaregatan 11, SE-871 42 Härnösand, Sweden, Tel +46 (0)611-837 80
Fax +46 (0)611-51 15 80, E-mail: b2b@edmolift.se

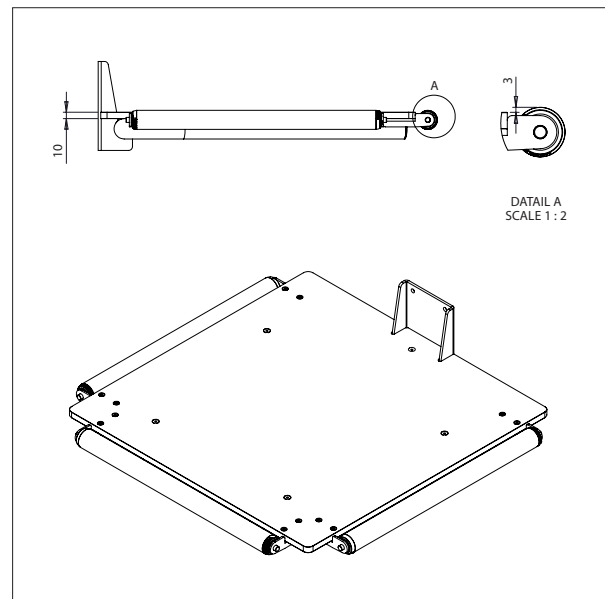
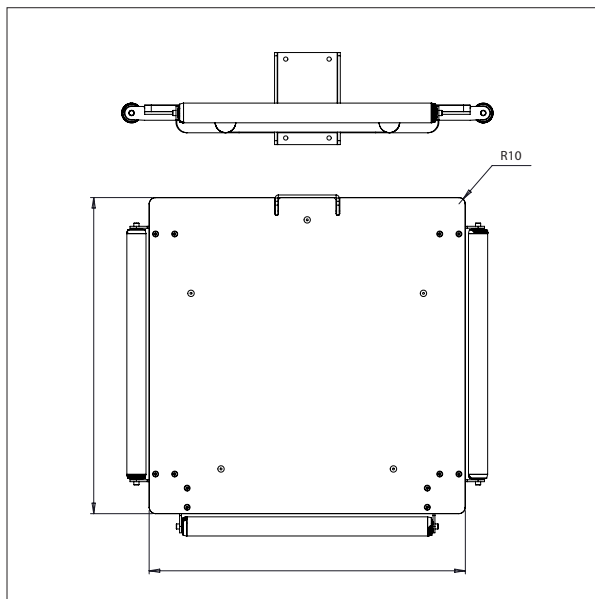
WP 90 SS Q / TOOLS

PLASTIC PLATFORM (PEHD)

- All measurements in mm

PLASTIC PLATFORM WITH 3 ROLLERS – 87794

L x W: 495 x 495 m



EdmoLift AB

Jägaregatan 11, SE-871 42 Härnösand, Sweden, Tel +46 (0)611-837 80
Fax +46 (0)611-51 15 80, E-mail: b2b@edmolift.se

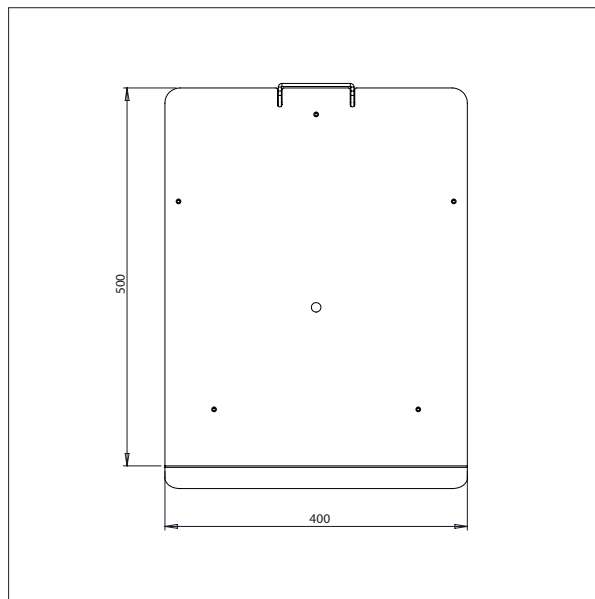
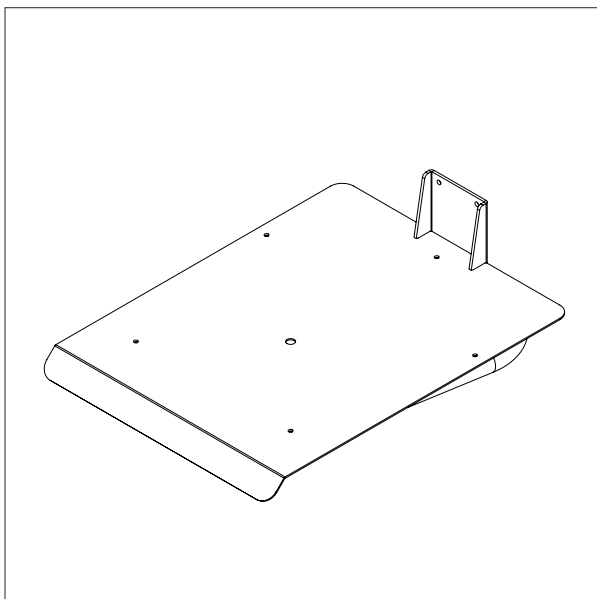
WP 90 SS Q / TOOLS

STAINLESS STEEL PLATFORM

- All measurements in mm

STAINLESS STEEL PLATFORM – 87793

L x W: 500 x 400 mm



EdmoLift AB

Jägaregatan 11, SE-871 42 Härnösand, Sweden, Tel +46 (0)611-837 80
Fax +46 (0)611-51 15 80, E-mail: b2b@edmolift.se

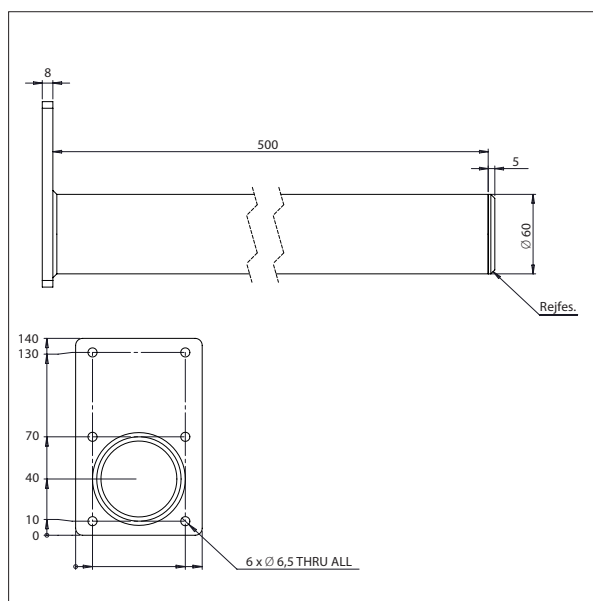
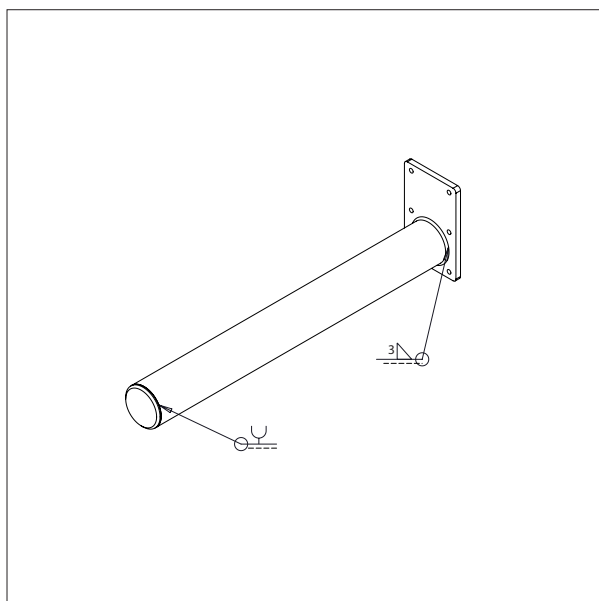
WP 90 SS Q / TOOLS

REEL MANDREL

- All measurements in mm

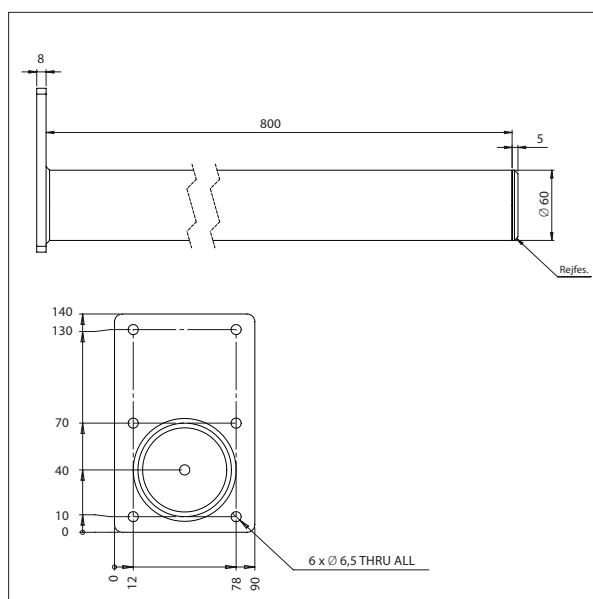
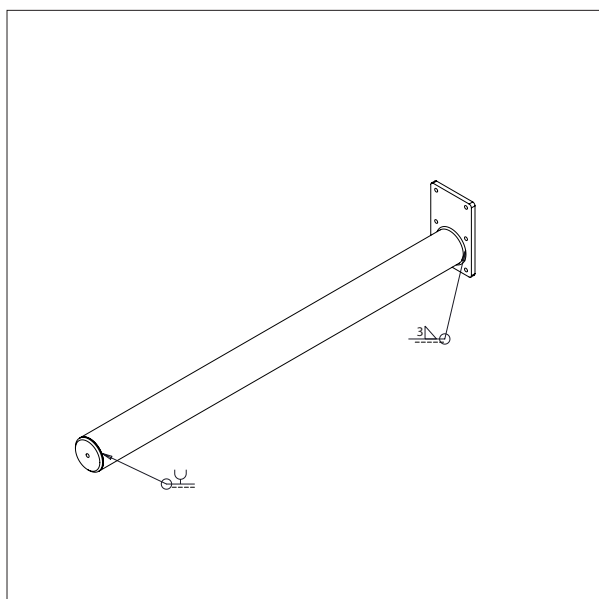
REEL MANDREL – 87792

L x Ø: 500 x Ø60



REEL MANDREL – 87791

L x Ø: 800 x Ø60



EdmoLift AB

Jägaregatan 11, SE-871 42 Härnösand, Sweden, Tel +46 (0)611-837 80
Fax +46 (0)611-51 15 80, E-mail: b2b@edmolift.se

WP 90 SS Q / TOOLS

TWIN MANDREL

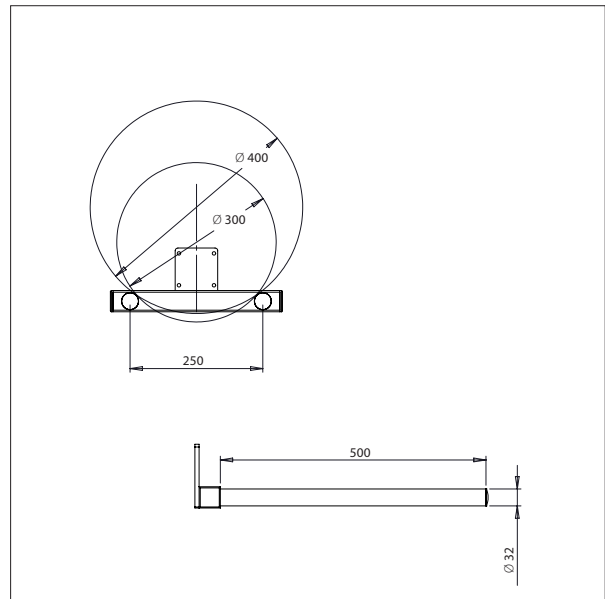
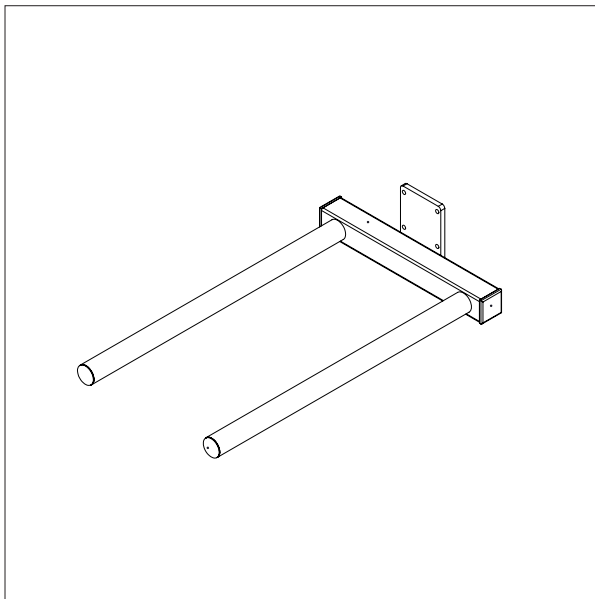
- All measurements in mm

TWIN MANDREL – 87369

L x Ø x W: 500 x Ø30 x 250

Min. width of reel: Ø300 mm

Max. width of reel: Ø400 mm

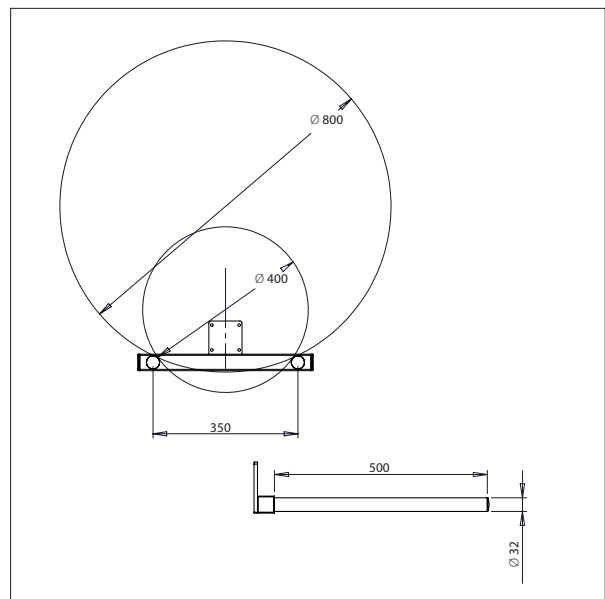
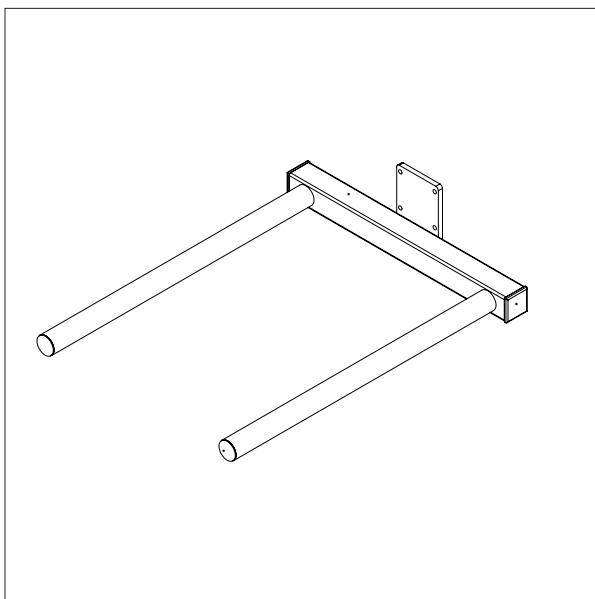


TWIN MANDREL – 87370

L x Ø x W: 500 x Ø30 x 350

Min. width of reel: Ø400 mm

Max. width of reel: Ø800 mm



EdmoLift AB

Jägaregatan 11, SE-871 42 Härnösand, Sweden, Tel +46 (0)611-837 80
Fax +46 (0)611-51 15 80, E-mail: b2b@edmolift.se

WP 90 SS Q / TOOLS

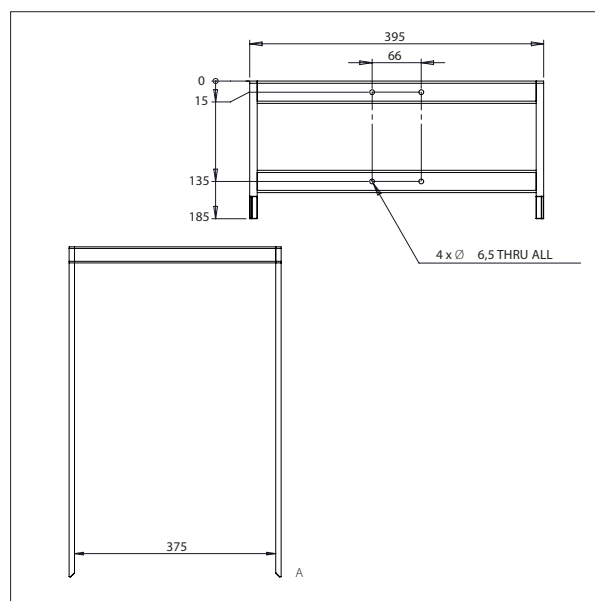
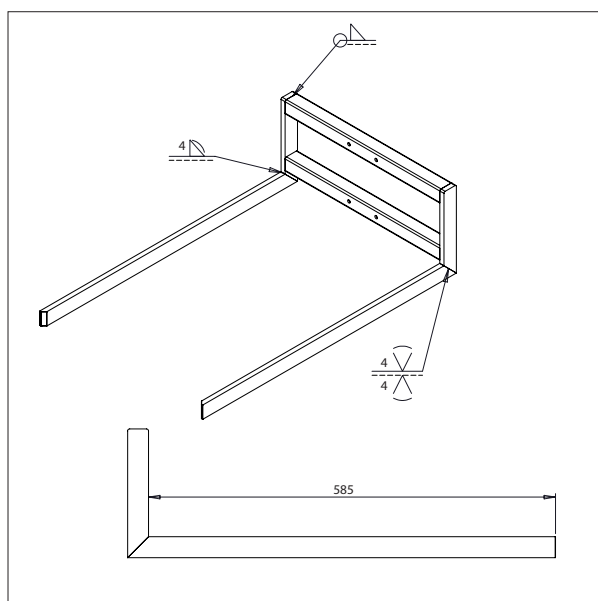
LIFTING FORK

- All measurements in mm

LIFTING FORK- 87787

L x W: 585 x 375

For 600 x 400 boxes



EdmoLift AB

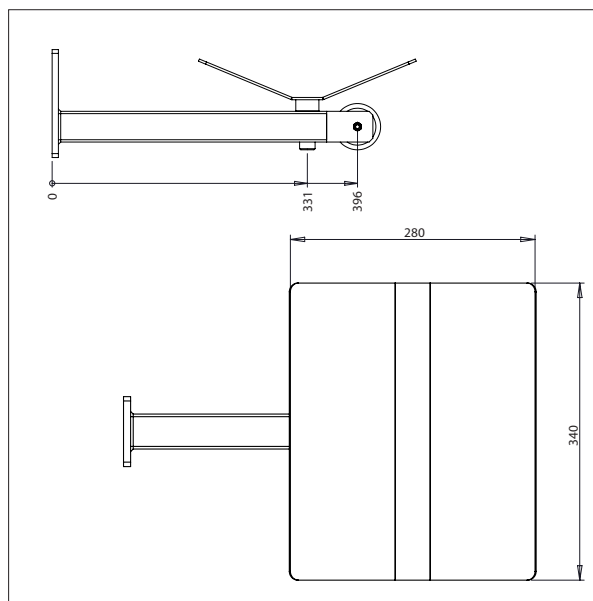
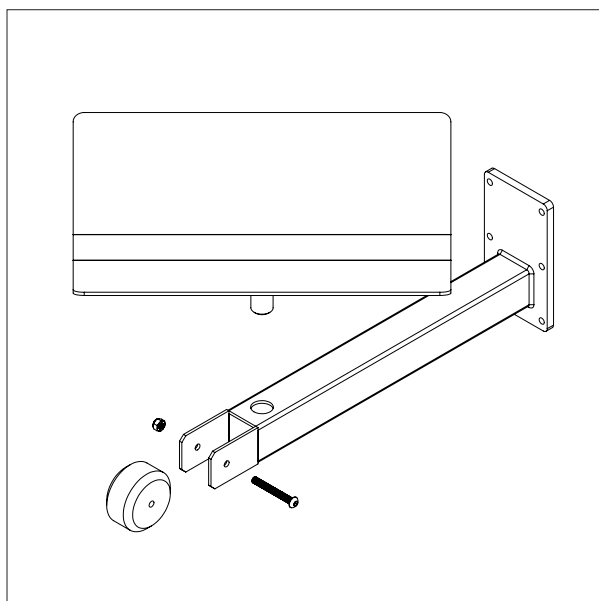
Jägaregatan 11, SE-871 42 Härnösand, Sweden, Tel +46 (0)611-837 80
Fax +46 (0)611-51 15 80, E-mail: b2b@edmolift.se

WP 90 SS Q / TOOLS

REEL MANDREL WITH FRONT ROLLER AND V-CRADLE

- All measurements in mm

REEL MANDREL WITH FRONT ROLLER AND V-CRADLE – 87788



EdmoLift AB

Jägaregatan 11, SE-871 42 Härnösand, Sweden, Tel +46 (0)611-837 80
Fax +46 (0)611-51 15 80, E-mail: b2b@edmolift.se

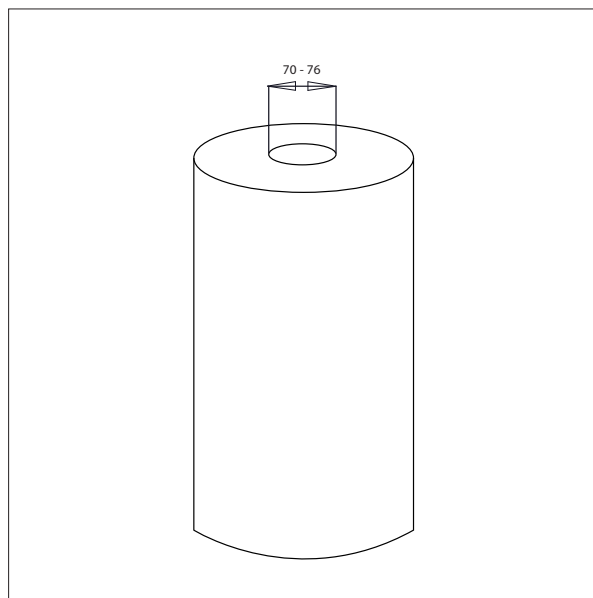
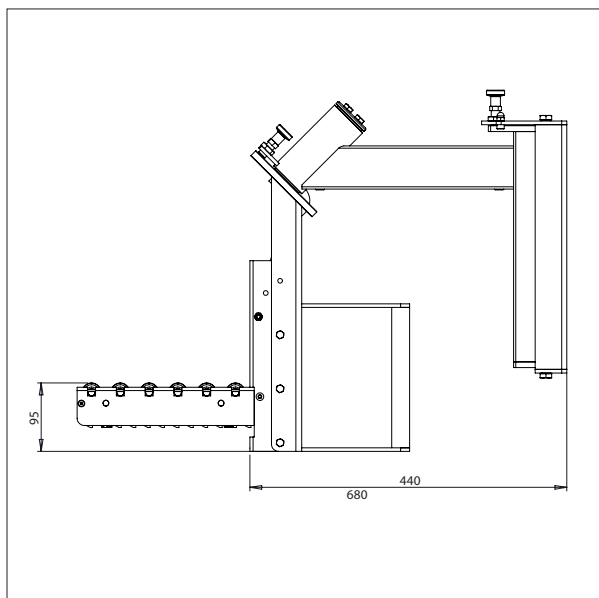
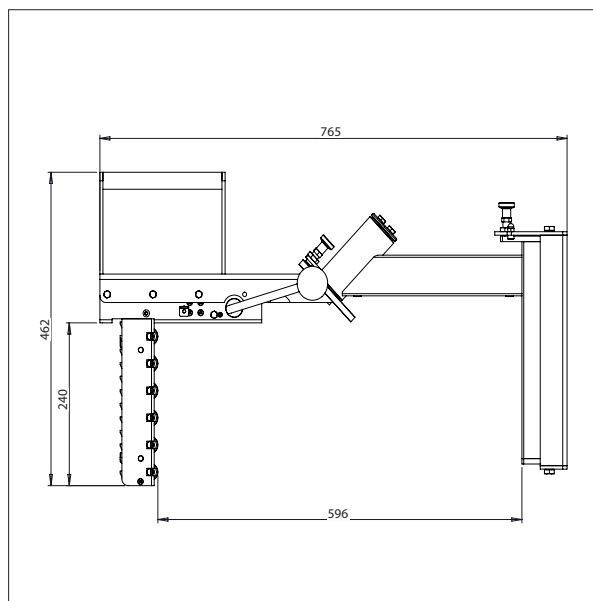
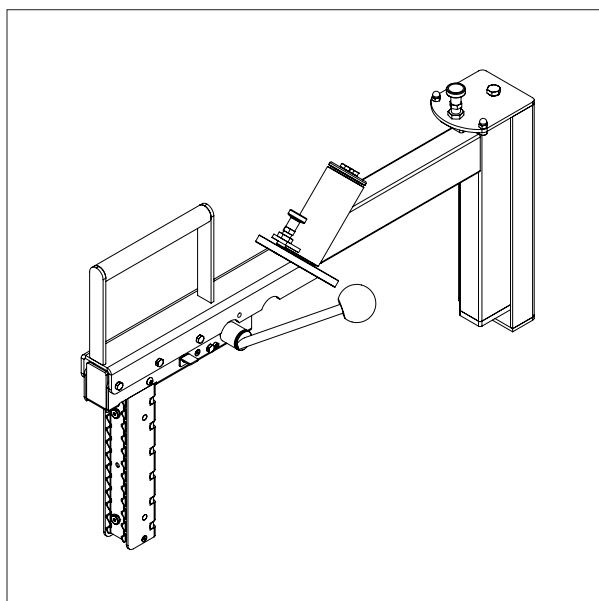
WP 90 SS Q / TOOLS

REEL ROTATOR

- All measurements in mm

REEL ROTATOR - 87618

Swing $\pm 15^\circ$



EdmoLift AB

Jägaregatan 11, SE-871 42 Härnösand, Sweden, Tel +46 (0)611-837 80
Fax +46 (0)611-51 15 80, E-mail: b2b@edmolift.se